

A4 | S4



The Audi A4.

It's lighter, more agile and more advanced than its predecessor. We've enhanced almost every part of the Audi A4, bringing innovative features to the cabin and putting more power under the bonnet. The design has been refined, the technology has advanced and we've updated our range of engines and transmissions. The only thing that hasn't changed is the name.

Contents

This pricelist is designed to take you logically through the features and options available for the A4 and S4 Saloon and Avant. But if you'd like to go straight to a particular section, simply click on the relevant page number below.

Page 4 Model choice

A4 SE	Page 4
A4 Sport	Page 5
A4 S line	Page 6
A4 Black Edition	Page 7
S4	Page 8

Page 9 Model pricing

A4 Saloon SE	Page 9	A4 Avant SE	Page 14
A4 Saloon Sport	Page 10	A4 Avant Sport	Page 15
A4 Saloon S line	Page 11	A4 Avant S line	Page 16
A4 Saloon Black Edition	Page 12	A4 Avant Black Edition	Page 17
S4 Saloon	Page 13	S4 Avant	Page 18

Page 19 Paint

Page 22 Wheels

Page 24 Performance and suspension

Page 25 Lighting

Page 26 Exterior equipment

Page 28 Seats

Page 32 Seat options

Page 33 Inlays

Page 34 Interior equipment

Page 35 Technology Packs

Page 38 Technology Audio and communication

Page 40 Technology Driver assistance

Page 43 Audi warranty

Page 44 Audi configurator

Page 45 Financing your Audi

Page 46 Technical data and dimensions

Technical data	
A4 Saloon	Page 46
A4 Avant	Page 52
S4 Saloon	Page 58
S4 Avant	Page 58

Dimensions	
A4 Saloon	Page 59
A4 Avant	Page 60
S4 Saloon	Page 61
S4 Avant	Page 62

Page 63 Important information

SE

Key features that come as standard

SE offers premium specification as standard. Highlights include Xenon headlights with LED daytime-running lights, Audi Smartphone Interface, 3-zone climate control and a 7" colour MMI monitor. In Avant models, a power-operated tailgate and an electrically retracting luggage cover are also standard, facilitating access to the Avant's accommodating load bay.

Wheels

- ▶ 17" x 7.5J '10-spoke crystal' design alloy wheels
- ▶ ultra TDI models come with low rolling resistance tyres
- ▶ Space-saver spare wheel
- ▶ Tool kit and car jack

Performance and suspension

- ▶ Automatic Start-Stop with coasting functionality and efficiency programme
- ▶ Electromechanical power steering
- ▶ Comfort Dynamic suspension (ultra TDI models come with Sport suspension)
- ▶ Audi Drive Select

Lighting

- ▶ Xenon headlights with LED daytime-running lights

Exterior equipment

- ▶ Radiator grille in Titan black with chrome inlays
- ▶ Air inlets in Titan black
- ▶ Door handles with chrome inlay
- ▶ Rear diffuser in Titan black, matt
- ▶ Rear diffuser clip in chrome
- ▶ Chrome-plated exhaust trims
- ▶ Aluminium roof rails (Avant models only)

- ▶ High-gloss Package – roof frame and window trims in Aluminium, B-pillar trims and triangular rear door trim in High-gloss black
- ▶ Door mirrors – electrically adjustable and heated with integrated LED side indicators
- ▶ Body-coloured door mirrors
- ▶ Towbar preparation
- ▶ Windscreen with acoustic glazing

Seats

- ▶ Standard seats in Concept cloth
- ▶ Manual seat adjustment
- ▶ Split-folding rear seat bench in three parts (40/20/40) with rear centre armrest

Inlays

- ▶ Inlays in Aluminium Ellipse, silver

Interior equipment

- ▶ Deluxe 3-zone electronic climate control
- ▶ 3-spoke leather multi-function steering wheel with chrome clip (and paddles for automatic transmissions) – height and reach-adjustable
- ▶ Door sill trims with Aluminium inlay
- ▶ Auto-dimming rear-view mirror

- ▶ Front centre armrest
- ▶ Electric boot lid release (Saloon models only)
- ▶ Power-operated tailgate (Avant models only)
- ▶ Electric load area cover (Avant models only)
- ▶ Interior lighting

Audio and communication

- ▶ MMI Radio Plus with 7" colour MMI screen
- ▶ Audi Smartphone Interface
- ▶ Driver's Information System (DIS) – 5" monochrome display
- ▶ Voice control
- ▶ Bluetooth interface[†]
- ▶ DAB digital radio reception
- ▶ 8 passive loudspeakers
- ▶ Two USB charging ports
- ▶ CD drive
- ▶ Navigation preparation ('Ready 4 Nav')
- ▶ Email, calendar and text messages can be displayed on your vehicle's MMI. A myAudi account and Audi MMI Connect app are required. Please check www.audi.co.uk/phonecompatibility for more information

Driver assistance

- ▶ Cruise control system with speed limiter. Free-wheeling capability on models with automatic transmissions
- ▶ Parking System Plus – front and rear parking sensors
- ▶ Keyless go
- ▶ Pre-sense City
- ▶ Multi-collision brake assist

Safety and security

- ▶ Pop-up bonnet for pedestrian protection
- ▶ Electronic Stabilisation Control (ESC), including ABS, ASR and EDL
- ▶ Light and rain sensor
- ▶ Anti-theft alarm
- ▶ ISOFIX child seat mounting and Top Tether
- ▶ 6-airbag system
- ▶ Anti-theft wheel bolts
- ▶ First aid kit with warning triangle
- ▶ Seat belt monitoring
- ▶ Audi Connect Safety and Service – please see pages 64 and 65 for more details

Sport

Specification in addition to SE

The Sport trim builds off the same premium specification as SE with exterior styling upgrades for an enhanced sporty look. Inside, you gain MMI Navigation and an automatic 3-month subscription to Audi Connect Infotainment Services. Sport seats, a Sport steering wheel and the 180-watt Audi Sound System are also among the additional benefits.

Wheels

- ▶ 17" x 7.5J '5-spoke Y' design alloy wheels
- ▶ ultra TDI models come with low rolling resistance tyres

Exterior equipment

- ▶ Radiator grille in Twilight grey matt with chrome inlays
- ▶ Air inlets in Titan black with 2 horizontal inlays in chrome
- ▶ Rear diffuser in Twilight grey matt
- ▶ Door handles in body colour

Seats

- ▶ Front Sport seats in Twin leather
- ▶ Heated front seats

Interior equipment

- ▶ 3-spoke leather high multi-function Sport steering wheel
- ▶ LED Interior Lighting Pack

Audio and communication

- ▶ MMI Navigation with 7" colour MMI screen
 - ▶ 3D map display
 - ▶ MMI search
 - ▶ 2x SDXC card readers
 - ▶ Colour Driver's Information System (DIS) – 7" full colour display
 - ▶ Country-specific information – find out the legal regulations for the country you're travelling to such as speed limits, whether it is compulsory to carry a high-visibility vest or whether you need to carry a motorway toll sticker
- ▶ Audi Connect Infotainment Services (3-month trial)^
- ▶ Audi Sound System with 10 loudspeakers

[^]For more information on Audi Connect Infotainment Services please see pages 64 and 65.

S line

Specification in addition or replacement to Sport

Designed with the most driving-focused owners in mind, the S line specification includes an upgrade to a larger 18” alloy wheel, and visual enhancements courtesy of bespoke S line exterior styling. It stands out on the road with LED headlights, incorporating LED daytime-running lights and LED rear lights with dynamic rear indicators. Sport seats upholstered in a combination of leather and Alcantara help to set the tone inside, and Sport suspension does the same for the driving experience.

Wheels

- ▶ 18” x 8.0J ‘5-twin-spoke star’ design alloy wheels

Performance and suspension

- ▶ Sport suspension – lowered by 20mm

Lighting

- ▶ LED headlights with LED rear lights and dynamic rear indicators

Exterior equipment

- ▶ S line front and rear bumpers and side skirts
- ▶ Radiator grille in Twilight grey matt with chrome inlays
- ▶ Side air inlet grille in Titan black matt with chrome inlays in unique S line design
- ▶ Rear diffuser in Twilight grey matt
- ▶ Rear grille, black grained
- ▶ S line badges on the front wings
- ▶ S line roof edge spoiler (Avant models only)

Seats

- ▶ Front Sport seats with ‘S’ embossed logo
- ▶ Leather/Alcantara
- ▶ 4-way electric lumbar support

Inlays

- ▶ Inlays in Matt brushed aluminium

Interior equipment

- ▶ S line 3-spoke leather high multi-function Sport steering wheel, grips in perforated leather (and paddles for automatic transmissions)
- ▶ Gear-lever knob in black perforated leather
- ▶ Illuminated door sill trims with ‘S’ logo
- ▶ Pedals and footrest in stainless steel
- ▶ Headlining in black cloth
- ▶ Contrast stitching on seats, steering wheel and gear-lever gaiter

Black Edition

Specification in addition or replacement to S line

The Black Edition brings enhanced looks, both inside and out. It's thanks to 19" alloy wheels, Piano black inlays and black styling touches to the exterior that give a unique impression.

Wheels

- ▶ 19" x 8.0J '5-arm rotor' matt titanium look, diamond cut with 245/35 R19 tyres

Exterior equipment

- ▶ Titanium Black Styling Pack – includes radiator grille and frame, front and rear air intakes, window trims in Titanium black, door mirror housing, rear spoiler (Saloon only) and S line side skirts in High-gloss black and Black roof rails (Avant only)
- ▶ Privacy glass (side and rear windows) and front acoustic glazing

Inlays

- ▶ Piano black inlays

Interior equipment

- ▶ Flat-bottomed 3-spoke leather high multi-function Sport steering wheel

S4

Specification in addition or replacement to S line

Enhanced brakes and suspension. A significantly more powerful engine. Unique S4 exterior styling. Every feature of the Audi S4 is chosen to deliver an engaging and exhilarating drive. And with a high level of standard equipment offering the best in technology and comfort, it's the pinnacle of the A4 range.

Wheels

- ▶ 19" x 8.5J '10-V spoke' design Audi Sport alloy wheels diamond cut and partly polished

Performance and suspension

- ▶ 'S' Sport suspension
- ▶ 'S' model enhanced braking system

Lighting

- ▶ High-beam assist

Exterior equipment

- ▶ 'S' radiator grille in Twilight grey matt with dual struts in aluminium and S4 logo
- ▶ 'S' specific side air inlets in Titan black with chrome inlays in unique 'S' design
- ▶ 'S' rear diffuser in Twilight grey matt and honeycomb grille in black
- ▶ Rear spoiler
- ▶ 'S' specific dual-branch chrome tailpipes, with twin oval pipes on both the left and right
- ▶ Brake calipers painted in black with S4 logo at the front
- ▶ Aluminium-effect door mirror housings
- ▶ Audi Beam – uses LEDs to project the Audi logo onto the ground as you exit your S4

Seats

- ▶ Front 'S' Super Sport seats, electrically adjustable with 'S' embossed logo
- ▶ Fine Nappa leather upholstery
- ▶ Lumbar support, pneumatically adjustable with massage function

Interior equipment

- ▶ 'S' instrument dials
- ▶ Extended Interior Upholstery Pack
- ▶ Flat-bottomed 3-spoke leather high multi-function steering wheel with chrome clip
- ▶ Gear-lever with diamond 'S' badge
- ▶ Gear-lever knob in black leather
- ▶ Key with S4 logo

Audio and communication

- ▶ MMI Navigation Plus with 8.3" high-resolution colour screen
- ▶ MMI Touch control panel
 - ▶ Online map updates (includes five free updates) and myAudi special destinations which allows you to download special destinations such as your favourite restaurants into your navigation system via your myAudi account*
 - ▶ Country-specific information – find out the legal regulations for the country you're travelling to such as speed limits, whether it is compulsory to carry a high-visibility vest or whether you need to carry a motorway toll sticker
- ▶ Audi Connect Infotainment Services (36-month subscription)

*Terms and conditions apply, please see page 65.

A4 Saloon SE

Engine	Fuel type	Power	Transmission	CO ₂ g/km*	RRP inc VAT**	Recommended OTR**
1.4 TFSI	Petrol	150PS	6-speed manual	126	£26,415	£27,260
1.4 TFSI	Petrol	150PS	7-speed S tronic	122	£27,945	£28,790
2.0 TDI ultra	Diesel	150PS	6-speed manual	99	£29,665	£30,470
2.0 TDI ultra	Diesel	150PS	7-speed S tronic	101	£31,195	£32,020

*CO₂ emissions can change if a different size alloy wheel is ordered onto the vehicle. This may lead to a change to the Vehicle Excise Duty (VED) amount payable. Please refer to pages 22, 23, 47, 50, 51 and 63. Values are based on standard EU test figures for comparative purposes and may not reflect real driving results.

**Recommended Retail Price (RRP) includes VAT at 20%, which may be subject to change. Please see page 63 for an explanation on Recommended On-The-Road (OTR) retail prices and VED rates.

A4 Saloon Sport

Engine	Fuel type	Power	Transmission	CO ₂ g/km*	RRP inc VAT**	Recommended OTR**
1.4 TFSI	Petrol	150PS	6-speed manual	126	£28,165	£29,010
1.4 TFSI	Petrol	150PS	7-speed S tronic	122	£29,695	£30,540
2.0 TFSI	Petrol	190PS	7-speed S tronic	122	£31,495	£32,340
2.0 TDI ultra	Diesel	150PS	6-speed manual	99	£31,415	£32,220
2.0 TDI ultra	Diesel	150PS	7-speed S tronic	101	£32,945	£33,770
2.0 TDI ultra	Diesel	190PS	6-speed manual	102	£32,315	£33,140
2.0 TDI ultra	Diesel	190PS	7-speed S tronic	103	£33,845	£34,670
2.0 TDI quattro	Diesel	190PS	7-speed S tronic	114	£35,275	£36,120
3.0 V6 TDI quattro	Diesel	218PS	7-speed S tronic	119	£36,995	£37,840

*CO₂ emissions can change if a different size alloy wheel is ordered onto the vehicle. This may lead to a change to the Vehicle Excise Duty (VED) amount payable. Please refer to pages 22, 23, 47, 50, 51 and 63.

Values are based on standard EU test figures for comparative purposes and may not reflect real driving results.

**Recommended Retail Price (RRP) includes VAT at 20%, which may be subject to change. Please see page 63 for an explanation on Recommended On-The-Road (OTR) retail prices and VED rates.

A4 Saloon S line

Engine	Fuel type	Power	Transmission	CO ₂ g/km*	RRP inc VAT**	Recommended OTR**
1.4 TFSI	Petrol	150PS	6-speed manual	128	£29,615	£30,460
1.4 TFSI	Petrol	150PS	7-speed S tronic	126	£31,145	£31,990
2.0 TFSI	Petrol	190PS	7-speed S tronic	126	£32,945	£33,790
2.0 TFSI quattro	Petrol	252PS	7-speed S tronic	145	£38,545	£39,430
2.0 TDI	Diesel	150PS	6-speed manual	106	£32,865	£33,690
2.0 TDI	Diesel	150PS	7-speed S tronic	109	£34,395	£35,220
2.0 TDI ultra	Diesel	190PS	6-speed manual	107	£33,765	£34,590
2.0 TDI ultra	Diesel	190PS	7-speed S tronic	109	£35,295	£36,120
2.0 TDI	Diesel	190PS	6-speed manual	113	£33,765	£34,610
2.0 TDI	Diesel	190PS	7-speed S tronic	111	£35,295	£36,140
2.0 TDI quattro	Diesel	190PS	7-speed S tronic	118	£36,725	£37,570
3.0 V6 TDI quattro	Diesel	218PS	7-speed S tronic	123	£38,445	£39,290
3.0 V6 TDI quattro	Diesel	272PS	8-speed tiptronic	134	£40,215	£41,100

*CO₂ emissions can change if a different size alloy wheel is ordered onto the vehicle. This may lead to a change to the Vehicle Excise Duty (VED) amount payable. Please refer to pages 22, 23, 47, 50, 51 and 63.

Values are based on standard EU test figures for comparative purposes and may not reflect real driving results.

**Recommended Retail Price (RRP) includes VAT at 20%, which may be subject to change. Please see page 63 for an explanation on Recommended On-The-Road (OTR) retail prices and VED rates.

A4 Saloon Black Edition

Engine	Fuel type	Power	Transmission	CO ₂ g/km*	RRP inc VAT**	Recommended OTR**
1.4 TFSI	Petrol	150PS	6-speed manual	131	£31,465	£32,350
1.4 TFSI	Petrol	150PS	7-speed S tronic	129	£32,995	£33,840
2.0 TFSI	Petrol	190PS	7-speed S tronic	126	£34,795	£35,640
2.0 TFSI quattro	Petrol	252PS	7-speed S tronic	146	£40,395	£41,280
2.0 TDI	Diesel	150PS	6-speed manual	111	£34,715	£35,560
2.0 TDI	Diesel	150PS	7-speed S tronic	112	£36,245	£37,090
2.0 TDI	Diesel	190PS	6-speed manual	118	£35,615	£36,460
2.0 TDI	Diesel	190PS	7-speed S tronic	113	£37,145	£37,990
2.0 TDI quattro	Diesel	190PS	7-speed S tronic	121	£38,575	£39,420
3.0 V6 TDI quattro	Diesel	218PS	7-speed S tronic	127	£40,295	£41,140
3.0 V6 TDI quattro	Diesel	272PS	8-speed tiptronic	137	£42,065	£42,950

*CO₂ emissions can change if a different size alloy wheel is ordered onto the vehicle. This may lead to a change to the Vehicle Excise Duty (VED) amount payable. Please refer to pages 22, 23, 47, 50, 51 and 63.

Values are based on standard EU test figures for comparative purposes and may not reflect real driving results.

**Recommended Retail Price (RRP) includes VAT at 20%, which may be subject to change. Please see page 63 for an explanation on Recommended On-The-Road (OTR) retail prices and VED rates.

S4 Saloon

Engine	Fuel type	Power	Transmission	CO ₂ g/km*	RRP inc VAT**	Recommended OTR**
3.0 V6 TFSI quattro	Petrol	354PS	8-speed tiptronic	174	£44,015	£45,500

*CO₂ emissions can change if a different size alloy wheel is ordered onto the vehicle. This may lead to a change to the Vehicle Excise Duty (VED) amount payable. Please refer to pages 22, 23, 58 and 63. Values are based on standard EU test figures for comparative purposes and may not reflect real driving results.

**Recommended Retail Price (RRP) includes VAT at 20%, which may be subject to change. Please see page 63 for an explanation on Recommended On-The-Road (OTR) retail prices and VED rates.

A4 Avant SE

Engine	Fuel type	Power	Transmission	CO ₂ g/km*	RRP inc VAT**	Recommended OTR**
1.4 TFSI	Petrol	150PS	6-speed manual	131	£27,815	£28,700
1.4 TFSI	Petrol	150PS	7-speed S tronic	126	£29,345	£30,190
2.0 TDI ultra	Diesel	150PS	6-speed manual	104	£31,065	£31,890
2.0 TDI ultra	Diesel	150PS	7-speed S tronic	104	£32,595	£33,420

*CO₂ emissions can change if a different size alloy wheel is ordered onto the vehicle. This may lead to a change to the Vehicle Excise Duty (VED) amount payable. Please refer to pages 22, 23, 53, 56, 57 and 63. Values are based on standard EU test figures for comparative purposes and may not reflect real driving results.

**Recommended Retail Price (RRP) includes VAT at 20%, which may be subject to change. Please see page 63 for an explanation on Recommended On-The-Road (OTR) retail prices and VED rates.

A4 Avant Sport

Engine	Fuel type	Power	Transmission	CO ₂ g/km*	RRP inc VAT**	Recommended OTR**
1.4 TFSI	Petrol	150PS	6-speed manual	131	£29,565	£30,450
1.4 TFSI	Petrol	150PS	7-speed S tronic	126	£31,095	£31,940
2.0 TFSI	Petrol	190PS	7-speed S tronic	127	£32,895	£33,740
2.0 TDI ultra	Diesel	150PS	6-speed manual	104	£32,815	£33,640
2.0 TDI ultra	Diesel	150PS	7-speed S tronic	104	£34,345	£35,170
2.0 TDI ultra	Diesel	190PS	6-speed manual	106	£33,715	£34,540
2.0 TDI ultra	Diesel	190PS	7-speed S tronic	106	£35,245	£36,070
2.0 TDI quattro	Diesel	190PS	7-speed S tronic	116	£36,675	£37,520
3.0 V6 TDI quattro	Diesel	218PS	7-speed S tronic	123	£38,395	£39,240

*CO₂ emissions can change if a different size alloy wheel is ordered onto the vehicle. This may lead to a change to the Vehicle Excise Duty (VED) amount payable. Please refer to pages 22, 23, 53, 56, 57 and 63.

Values are based on standard EU test figures for comparative purposes and may not reflect real driving results.

**Recommended Retail Price (RRP) includes VAT at 20%, which may be subject to change. Please see page 63 for an explanation on Recommended On-The-Road (OTR) retail prices and VED rates.

A4 Avant S line

Engine	Fuel type	Power	Transmission	CO ₂ g/km*	RRP inc VAT**	Recommended OTR**
1.4 TFSI	Petrol	150PS	6-speed manual	133	£31,015	£31,900
1.4 TFSI	Petrol	150PS	7-speed S tronic	129	£32,545	£33,390
2.0 TFSI	Petrol	190PS	7-speed S tronic	130	£34,345	£35,190
2.0 TFSI quattro	Petrol	252PS	7-speed S tronic	149	£39,945	£40,830
2.0 TDI	Diesel	150PS	6-speed manual	111	£34,265	£35,110
2.0 TDI	Diesel	150PS	7-speed S tronic	112	£35,795	£36,640
2.0 TDI ultra	Diesel	190PS	6-speed manual	111	£35,165	£36,010
2.0 TDI ultra	Diesel	190PS	7-speed S tronic	112	£36,695	£37,540
2.0 TDI	Diesel	190PS	6-speed manual	116	£35,165	£36,010
2.0 TDI	Diesel	190PS	7-speed S tronic	113	£36,695	£37,540
2.0 TDI quattro	Diesel	190PS	7-speed S tronic	120	£38,125	£38,970
3.0 V6 TDI quattro	Diesel	218PS	7-speed S tronic	126	£39,845	£40,690
3.0 V6 TDI quattro	Diesel	272PS	8-speed tiptronic	139	£41,615	£42,500

*CO₂ emissions can change if a different size alloy wheel is ordered onto the vehicle. This may lead to a change to the Vehicle Excise Duty (VED) amount payable. Please refer to pages 22, 23, 53, 56, 57 and 63.

Values are based on standard EU test figures for comparative purposes and may not reflect real driving results.

**Recommended Retail Price (RRP) includes VAT at 20%, which may be subject to change. Please see page 63 for an explanation on Recommended On-The-Road (OTR) retail prices and VED rates.

A4 Avant Black Edition

Engine	Fuel type	Power	Transmission	CO ₂ g/km*	RRP inc VAT**	Recommended OTR**
1.4 TFSI	Petrol	150PS	6-speed manual	139	£32,865	£33,750
1.4 TFSI	Petrol	150PS	7-speed S tronic	131	£34,395	£35,280
2.0 TFSI	Petrol	190PS	7-speed S tronic	131	£36,195	£37,080
2.0 TFSI quattro	Petrol	252PS	7-speed S tronic	150	£41,795	£42,680
2.0 TDI	Diesel	150PS	6-speed manual	116	£36,115	£36,960
2.0 TDI	Diesel	150PS	7-speed S tronic	115	£37,645	£38,490
2.0 TDI	Diesel	190PS	6-speed manual	121	£37,015	£37,860
2.0 TDI	Diesel	190PS	7-speed S tronic	116	£38,545	£39,390
2.0 TDI quattro	Diesel	190PS	7-speed S tronic	123	£39,975	£40,820
3.0 V6 TDI quattro	Diesel	218PS	7-speed S tronic	129	£41,695	£42,540
3.0 V6 TDI quattro	Diesel	272PS	8-speed tiptronic	142	£43,465	£44,350

*CO₂ emissions can change if a different size alloy wheel is ordered onto the vehicle. This may lead to a change to the Vehicle Excise Duty (VED) amount payable. Please refer to pages 22, 23, 53, 56, 57 and 63.

Values are based on standard EU test figures for comparative purposes and may not reflect real driving results.

**Recommended Retail Price (RRP) includes VAT at 20%, which may be subject to change. Please see page 63 for an explanation on Recommended On-The-Road (OTR) retail prices and VED rates.


S4 Avant

Engine	Fuel type	Power	Transmission	CO ₂ g/km*	RRP inc VAT**	Recommended OTR**
3.0 V6 TFSI quattro	Petrol	354PS	8-speed tiptronic	179	£45,415	£46,900

*CO₂ emissions can change if a different size alloy wheel is ordered onto the vehicle. This may lead to a change to the Vehicle Excise Duty (VED) amount payable. Please refer to pages 22, 23, 58 and 63. Values are based on standard EU test figures for comparative purposes and may not reflect real driving results.

**Recommended Retail Price (RRP) includes VAT at 20%, which may be subject to change. Please see page 63 for an explanation on Recommended On-The-Road (OTR) retail prices and VED rates.

Paint

			SE	Sport	S line	Black Edition	S4	Total RRP inc VAT ⁺
T9		Ibis white, solid	•	•	•	•	•	£0
A2		Brilliant black, solid	•	•	•	•	•	£0
2Y		Glacier white, metallic	•	•	•	•	•	£645
L5		Floret silver, metallic	•	•	•	–	•	£645
H1		Manhattan grey, metallic	•	•	•	•	•	£645
0C		Monsoon grey, metallic	•	•	•	•	–	£645
0E		Mythos black, metallic	•	•	•	•	•	£645





Options are subject to availability and may extend time taken for delivery.

All the colour swatches on this page are matched as accurately as possible to the actual paint colours used. However, due to print processes, Audi UK cannot guarantee that colours shown are 100% accurate. Visit your local Audi Centre for a more accurate colour swatch.

⁺Total RRP inc VAT – Recommended Retail Price including VAT which is calculated at 20%. This may alter to reflect any change in the applicable VAT rate.

– = Not available • = Available S = Standard

Paint continued

			SE	Sport	S line	Black Edition	S4	Total RRP inc VAT ⁺
Y1		Tango red, metallic	•	•	•	•	•	£645
T7		Matador red, metallic	•	•	•	-	-	£645
S9		Scuba blue, metallic	•	•	•	-	-	£645
W1		Moonlight blue, metallic	•	•	•	•	-	£645
6Y		Daytona grey, pearl effect	-	-	•	•	•	£645
5J		Quantum grey, solid	-	-	-	•	-	£645




Options are subject to availability and may extend time taken for delivery.

All the colour swatches on this page are matched as accurately as possible to the actual paint colours used. However, due to print processes, Audi UK cannot guarantee that colours shown are 100% accurate. Visit your local Audi Centre for a more accurate colour swatch.

⁺Total RRP inc VAT – Recommended Retail Price including VAT which is calculated at 20%. This may alter to reflect any change in the applicable VAT rate.

- = Not available • = Available S = Standard

Paint continued

			SE	Sport	S line	Black Edition	S4	Total RRP inc VAT ⁺
2D		Navarra blue, metallic	-	-	-	-	•	£645
N9		Misano red, pearl effect	-	-	-	-	•	£645
Q0		Audi exclusive*/customised**	•	•	•	•	•	£2,400

Options are subject to availability and may extend time taken for delivery.

All the colour swatches on this page are matched as accurately as possible to the actual paint colours used. However, due to print processes, Audi UK cannot guarantee that colours shown are 100% accurate. Visit your local Audi Centre for a more accurate colour swatch.









*Audi exclusive paint is subject to factory approval. Visit your local Audi Centre for colour samples.

**Customised paint is subject to factory approval, and is available for metallic and pearl-effect water-based paints only. Three-colour process colours and two-tone schemes are not available.

⁺Total RRP inc VAT – Recommended Retail Price including VAT which is calculated at 20%. This may alter to reflect any change in the applicable VAT rate.

– = Not available • = Available S = Standard

Wheels

			SE	Sport	S line	Black Edition	S4	Total RRP inc VAT*
C8F		17" x 7.5J '10-spoke crystal' design alloy wheels with 225/50 R17 tyres	S	-	-	-	-	£0
C4N		17" x 7.5J '5-spoke Y' design alloy wheels with 225/50 R17 tyres	-	S	-	-	-	£0
PRH		17" x 7.5J '5-parallel spoke' design alloy wheels with 225/50 R17 tyres	•	•	-	-	-	£250
PRB		18" x 8.0J '5-twin-spoke star' design alloy wheels with 245/40 R18 tyres	-	-	S	-	-	£0
PRD		18" x 8.0J '10-spoke V' design alloy wheels with 245/40 R18 tyres	•	•	-	-	-	£700
PQG		18" x 8.0J '5-twin-spoke' design alloy wheels with 245/40 R18 tyres	-	•	-	-	-	£1,200
PRA		18" x 8.0J '5-spoke dynamic' design alloy wheels, diamond cut finish with 245/40 R18 tyres	-	-	•	-	-	£150
PQ9		18" x 8.0J '10-Y-spoke' design alloy wheels in gloss black, diamond cut finish with 245/40 R18 tyres	-	-	-	•	-	£0

Options are subject to availability and may extend time taken for delivery.





All 17" wheels supplied with: 17" x 7.5J 225/50 R17 tyres. All 18" wheels supplied with: 18" x 8.0J 245/40 R18 tyres. All ultra TDI models are only available with 17" and 18" alloy wheels and come with low rolling resistance tyres. All 19" wheels supplied with: 19" x 8.5J 245/35 R19 tyres.

Please note that the size of your chosen wheel may affect the fuel consumption figures and the CO₂ emissions. This may result in a change in subsequent Vehicle Excise Duty payable. Please see pages 47, 50, 51, 53, 56, 57, 58 and 63 for details.

*Total RRP inc VAT – Recommended Retail Price including VAT which is calculated at 20%. This may alter to reflect any change in the applicable VAT rate.

- = Not available • = Available S = Standard

Wheels continued

			SE	Sport	S line	Black Edition	S4	Total RRP inc VAT ⁺
PQ0		19" x 8.0J '5-arm rotor' design alloy wheels in matt titanium-look, diamond cut finish with 245/35 R19 tyres	-	-	-	S	-	£0
PQ5		19" x 8.5J '10-V spoke' design alloy wheels with 245/40 R18 tyres	-	-	•	-	-	£900
			-	-	-	-	S	£0
PQI		19" x 8.5J '5-V spoke' design alloy wheels in matt titanium-look, diamond cut finish with 245/40 R18 tyres	-	-	•	-	-	£1,200
			-	-	-	-	•	£550
PQJ		19" x 8.5J '5-spoke V' design alloy wheels, contrasting grey diamond cut finish with 245/35 R19 tyres	-	-	-	-	•	£1,200

Options are subject to availability and may extend time taken for delivery.

All 17" wheels supplied with: 17" x 7.5J 225/50 R17 tyres. All 18" wheels supplied with: 18" x 8.0J 245/40 R18 tyres. All ultra TDI models are only available with 17" and 18" alloy wheels and come with low rolling resistance tyres. All 19" wheels supplied with: 19" x 8.5J 245/35 R19 tyres.

Please note that the size of your chosen wheel may affect the fuel consumption figures and the CO₂ emissions. This may result in a change in subsequent Vehicle Excise Duty payable. Please see pages 47, 50, 51, 53, 56, 57, 58 and 63 for details.

⁺Total RRP inc VAT – Recommended Retail Price including VAT which is calculated at 20%. This may alter to reflect any change in the applicable VAT rate.

- = Not available • = Available S = Standard

Performance and suspension

		SE	Sport	S line	Black Edition	S4	Total RRP inc VAT ⁺
1BA	Comfort Dynamic suspension Not available on TDI ultra models	S	S	•	•	-	£0
1BE	Sport suspension Lowered by 20mm compared to Comfort Dynamic suspension, with stiffer suspension and damping for more direct contact with the road and sportier handling. Standard on all on TDI ultra models	-	•	S	S	-	£325
1N8	Dynamic steering Enhances driving dynamics and ride comfort by regulating the steering according to the driving situation. With this technology, driving is significantly more agile under everyday conditions, while directional stability and precision are increased at high speeds and in demanding driving situations	-	-	-	-	•	£950
1BQ	Adaptive Sport suspension with damping control Electronically regulated suspension system which offers the sportiest ride at the same time as improving comfort. Suspension is lowered by 20mm (as with Sport suspension) and adjusts to different driving situations. Dynamic or comfort-oriented characteristics for shock absorber settings adjusted via Audi Drive Select	•	•	-	-	-	£900
		-	-	•	•	-	£600
2MV	Adaptive 'S' Sport suspension with damping control Electronically regulated suspension system which offers the ultimate sport ride for S4 models. Suspension is lowered by 20mm (as with 'S' Sport suspension) and adjusts to different driving situations. Provides sportier response with improved comfort. Dynamic or comfort-oriented characteristics for shock absorber settings adjusted via Audi Drive Select	-	-	-	-	•	£900
GH2	quattro with Sport differential The electronically regulated Sport differential distributes variable amounts of driving force to each rear wheel, improving stability and agility, especially when cornering. It ensures better direct steering characteristics and, thanks to less steering effort, more agile handling	-	-	-	-	•	£1,200

Options are subject to availability and may extend time taken for delivery.

⁺Total RRP inc VAT - Recommended Retail Price including VAT which is calculated at 20%. This may alter to reflect any change in the applicable VAT rate.

- = Not available • = Available S = Standard

Lighting

		SE	Sport	S line	Black Edition	S4	Total RRP inc VAT ⁺
PXC	<p>Matrix LED headlights with LED rear lights and dynamic front and rear indicators Audi Matrix LED technology provides precise illumination of the road whilst reducing the risk of dazzling other road users. Using information from the vehicle's sensors, camera and MMI Navigation (if equipped), Matrix LED calculates the appropriate lighting required and automatically dips or turns off individual lighting diodes, creating corridors of lights either side of the vehicle or the object in front of it. Includes dynamic front and rear indicators which sweep from inside to out. This helps to clearly identify not only that the vehicle is turning, but in which direction. Also available in Light and Vision Pack (WB7, 9S8)</p>	-	-	•	•	•	£650
PX2	<p>LED headlights with LED rear lights and dynamic rear indicators All-weather headlights with dynamic headlight adjustment and dipped beam, high beam, indicators and turning light with LED technology. Enables a near daylight illumination of the road, minimum energy consumption and long service life. Includes dynamic rear indicators which sweep from inside to out. This helps to clearly identify not only that the vehicle is turning, but in which direction</p>	•	•	S	S	S	£1,050
8G1	<p>High-beam assist Within system limits, high-beam assist detects the headlights of oncoming traffic, the rear lights of other road users and light sources in built-up areas. Depending on the traffic situation, the high beam automatically adjusts to dipped beam and vice versa. The system improves the driver's visibility and ensures a more relaxed drive thanks to the extra comfort and convenience. Not available in combination with Matrix LED headlights (PXC) or Light and Vision Pack (WB7, 9S8)</p>	•	•	•	•	S	£150

Options are subject to availability and may extend time taken for delivery.

⁺Total RRP inc VAT – Recommended Retail Price including VAT which is calculated at 20%. This may alter to reflect any change in the applicable VAT rate.

- = Not available • = Available S = Standard

Exterior equipment

		SE	Sport	S line	Black Edition	S4	Total RRP inc VAT ⁺
4ZD 6FJ	Black Styling Pack Enhance the sportiness of your A4 with Titanium black accents in the following areas: radiator grille and frame, front and rear air intakes, and window trims. Design varies depending on model and equipment. Also includes door mirror housings in gloss black (6FJ) and Avant models additionally include black roof rails (3S2)	-	-	-	S	•	£550
6XE	Door mirrors (folding) Electrically folding, adjustable and heated with built-in LED side indicators and kerb-view function for passenger side	•	•	•	•	•	£225
6XL	Door mirrors (folding with auto-dimming and memory function) Auto-dimming with memory function, electrically folding, adjustable and heated with built-in LED side indicators and kerb-view function for passenger side. Only available in combination with electrically adjustable front seats (PV3)	•	•	•	•	•	£325
PC2	Red brake calipers	-	-	-	-	•	£300
OM1	Fuel tank 54 litres Available as an option on 2.0 TDI models, to increase fuel tank from 40 to 54 litres. All 3.0 TDI and TFSI engines come as standard with 54 litre tank. All 2.0 and 3.0 quattro variants have a 58 litre tank	•	•	•	•	-	£0
FK2	AdBlue® tank 24 litres Available as an option on all TDI models, to increase AdBlue® tank from 12 to 24 litres. Not applicable to TFSI engines. On TDI ultra models, only available in combination with Fuel tank 54 litres (OM1)	•	•	•	•	-	£0
3FE	Electric slide and tilt sunroof Available on Saloon models, this sunroof comprises of a single glass section, which raises and opens electrically. Includes a manually adjustable sunshield and convenience closing via the central locking remote control. Only available on Saloon models	•	•	•	•	•	£950

Options are subject to availability and may extend time taken for delivery.

⁺Total RRP inc VAT – Recommended Retail Price including VAT which is calculated at 20%. This may alter to reflect any change in the applicable VAT rate.

- = Not available • = Available S = Standard

Exterior equipment continued

		SE	Sport	S line	Black Edition	S4	Total RRP inc VAT ⁺
3FU	Panoramic glass sunroof Available on Avant models, the panoramic glass sunroof comprises of two tinted glass sections. The front glass section raises and opens electrically. Includes an electrically adjustable sunshield and convenience closing via the central locking remote control. The integrated wind deflector reduces wind noise when the roof is open. Only available on Avant models	•	•	•	•	•	£1,250
VW6	Privacy glass and front acoustic glazing Dark-tinted rear and rear-side windows (from B-pillar backwards) and front side windows in acoustic glass for better insulation from exterior noise	•	•	•	S	•	£450
1D4	Towbar (folding) Manually swivelling ball head with electric release. Operated via a button in the luggage compartment. Includes trailer/caravan stabilisation via Electronic Stability Control (ESC) and allows continual use of electrical devices in the trailer/caravan whilst driving. 13- to 7-pin adaptor may be required – please ask for details and pricing at your local Audi Centre	•	•	•	•	•	£850
2Z0	Deletion of model and technology designation at rear	•	•	•	•	•	£0
2Z7	Deletion of engine technology designation at rear	•	•	•	•	–	£0

Options are subject to availability and may extend time taken for delivery.

⁺Total RRP inc VAT – Recommended Retail Price including VAT which is calculated at 20%. This may alter to reflect any change in the applicable VAT rate.

– = Not available • = Available S = Standard

Standard seats Q1A

Seat functionality includes manual adjustment for seat forwards/backwards position, backrest angle, head restraint and seat belt height.

		SE	Sport	S line	Black Edition	S4	Total RRP inc VAT ⁺
N1N	Standard seats with Concept cloth. Concept cloth in the following areas: seat upholstery, head restraints, front centre armrest and door trim inserts. Available in a choice of Black or Rock grey Concept cloth	S	-	-	-	-	£0
N1F	Standard seats with Twin leather. A new combination trim offering the comfort and style of leather without the higher cost. For maximum durability, real leather is applied in the following areas: seat centre panels on the front seats, driver's seat bolster (entrance side only) and seat centre panels on the two outer rear seats. Leatherette trim is applied on the head restraints, seat side bolsters, door trim inserts, centre armrest and middle rear seat	•	-	-	-	-	£850

	Standard seat colour choices	Concept cloth	Twin leather
YM	Black upholstery. Headlining in Titanium grey. Upper and lower dashboard in Black, carpet in Black	•	•
ZG	Rock grey upholstery. Headlining in Titanium grey. Upper dashboard in Granite grey, lower dashboard in Rock grey, carpet in Granite grey	•	•
ZF	Rock grey upholstery. Headlining in Titanium grey. Upper and lower dashboard in Black, carpet in Black	-	•
ZK	Nougat brown upholstery. Headlining in Titanium grey. Upper and lower dashboard in Black, carpet in Black	-	•
ZE	Atlas beige upholstery. Headlining in Titanium grey. Upper and lower dashboard in Black, carpet in Black	-	•
ZI	Atlas beige upholstery. Headlining in Atlas beige grey. Upper dashboard in Granite grey, lower dashboard in Atlas beige, carpet in Granite grey	-	•

Options are subject to availability and may extend time taken for delivery.

⁺Total RRP inc VAT – Recommended Retail Price including VAT which is calculated at 20%. This may alter to reflect any change in the applicable VAT rate.

- = Not available • = Available S = Standard

Front Sport seats Q1D

The interior of the new A4 Sport trim has the styling credentials to complement the exterior. The seats not only have a sport design, they also offer a firmer and more supported driving style with extended thigh support and prominent side bolsters which improve lateral support. Seat functionality includes manual adjustment for seat height, seat forwards/backwards position, backrest angle, head restraint and seat belt height

		SE	Sport	S line	Black Edition	S4	Total RRP inc VAT ⁺
N1F	Sport seats with Twin leather. A new combination trim offering the comfort and style of leather without the higher cost	-	S	-	-	-	£0
N5W	Sport seats with Milano leather. High-quality and long lasting leather with fine grained appearance	-	•	-	-	-	£750

Front Sport seats colour choices		Twin leather	Milano leather
YM	Black upholstery. Headlining in Titanium grey. Upper and lower dashboard in Black, carpet in Black	•	•
ZF	Rock grey upholstery. Headlining in Titanium grey. Upper and lower dashboard in Black, carpet in Black	•	•
ZG	Rock grey upholstery. Headlining in Titanium grey. Upper dashboard in Granite grey, lower dashboard in Rock grey, carpet in Granite grey	•	•
ZK	Nougat brown upholstery. Headlining in Titanium grey. Upper and lower dashboard in Black, carpet in Black	•	•
ZE	Atlas beige upholstery. Headlining in Titanium grey. Upper and lower dashboard in Black, carpet in Black	-	•
ZI	Atlas beige upholstery. Headlining in Atlas beige. Upper dashboard in Granite grey, lower dashboard in Atlas beige, carpet in Granite grey	-	•

Options are subject to availability and may extend time taken for delivery.

⁺Total RRP inc VAT – Recommended Retail Price including VAT which is calculated at 20%. This may alter to reflect any change in the applicable VAT rate.

- = Not available • = Available S = Standard

Front Sport seats with 'S' embossed logo

The seats not only have a sporty design but also offer a firmer and more supported driving style with extended thigh support and prominent side bolsters which improve lateral support. Seat functionality includes manual adjustment for seat height, seat forwards/backwards position, backrest angle, head restraint and seat belt height.

		SE	Sport	S line	Black Edition	S4	Total RRP inc VAT ⁺
N7K	S line seats with leather/Alcantara. Unique to S line, Alcantara with an embossed pattern and contrast stitching enhances the styling of your seats, offers additional grip for sportier driving and at the same time provides added comfort across the seasons. Seat centre, shoulder panels and door inserts in Alcantara. Seat side bolsters, head restraint and front centre armrest in leather	-	-	S	S	-	£0
N3M	S line seats with Fine Nappa leather. Upgrade S line seats to the highest quality, supple Fine Nappa leather which is breathable, durable and features a natural fine grain. Seat upholstery, head restraints, and front centre armrest in Fine Nappa leather. Door trim inserts in Alcantara	-	-	•	•	-	£800

Sport seats with 'S' embossed logo colour choices				Leather/Alcantara	Fine Nappa leather
EI	Black upholstery. Headlining in Black. Upper and lower dashboard in Black, carpet in Black			•	•
OQ	Rotor grey upholstery. Headlining in Black. Upper and lower dashboard in Black, carpet in Black			•	•

Options are subject to availability and may extend time taken for delivery.

⁺Total RRP inc VAT – Recommended Retail Price including VAT which is calculated at 20%. This may alter to reflect any change in the applicable VAT rate.

- = Not available • = Available S = Standard

'S' Super Sport seats with 'S' embossed logo

'S' Super Sport seats are standard on S4 and offer luxury with a distinctive sporty design. These seats come with integrated head rests and Fine Nappa leather enhanced with diamond stitching and 'S' embossing on the front seat backs. The pronounced side bolsters and thigh extensions offer improved lateral support whilst the pneumatic lumbar with massage function provides added comfort with optimum support to the lumbar area with targeted inflation/deflation using three inflatable lumbar bolsters. Also includes massage function which is controlled via MMI or the multi-function switch on the seat. Seat functionality includes electric adjustment of seat height, forwards/backwards position, seat angle, backrest angle and manual adjustment of belt height.

		SE	Sport	S line	Black Edition	S4	Total RRP inc VAT ⁺
N3M	S4 seats with Fine Nappa leather	-	-	-	-	S	£0
S4 seats with 'S' embossed logo colour choices						Fine Nappa leather	
EI	Black upholstery. Headlining in Black. Upper and lower dashboard in Black, carpet in Black						•
OQ	Rotor grey upholstery. Headlining in Black. Upper and lower dashboard in Black, carpet in Black						•
AU	Magma red upholstery. Headlining in Black. Upper and lower dashboard in Black, carpet in Black						•

Options are subject to availability and may extend time taken for delivery.

⁺Total RRP inc VAT – Recommended Retail Price including VAT which is calculated at 20%. This may alter to reflect any change in the applicable VAT rate.

- = Not available • = Available S = Standard

Seat options





		SE	Sport	S line	Black Edition	S4	Total RRP inc VAT ⁺
7P1	4-way electric lumbar support For front seats with horizontal and vertical adjustment to further increase seat comfort	•	•	S	S	S	£250
PV3	Electrically adjustable front seats with memory function for the driver's side Electric adjustment of both front seats, with memory function for the driver's side. Includes the following: electric adjustment for seat height, seat forwards/backwards position; seat angle and backrest angle; electric 4-way lumbar support; two memory spaces for the electrically adjustable driver's seat and exterior mirrors. Only in combination with Exterior mirrors with memory function (6XL)	•	•	-	-	-	£950
		-	-	•	•	-	£800
		-	-	-	-	•	£200
4A3	Heated front seats Heating for seat and backrest centre panels. When in combination with Sport seats and leather upholstery, the side bolsters are also heated. Individually adjustable in several stages for driver and front-passenger side via the air-conditioning controls	•	S	S	S	S	£300
4A4	Heated front and outer rear seats Works in the same way as front seat heating, enabling you to regulate the outer rear seats separately	-	•	•	•	•	£300

Options are subject to availability and may extend time taken for delivery.

⁺Total RRP inc VAT – Recommended Retail Price including VAT which is calculated at 20%. This may alter to reflect any change in the applicable VAT rate.

- = Not available • = Available S = Standard

Inlays

			SE	Sport	S line	Black Edition	S4	Total RRP inc VAT ⁺
5TT		Aluminium Ellipse, silver Instrument panel, door trims and centre console	S	S	-	-	-	£0
5TG		Matt brushed aluminium Instrument panel, door trims and centre console	-	-	S	-	S	£0
5TL		Piano finish, black Instrument panel, door trims and centre console	•	•	•	S	•	£200
5MK		Carbon Atlas Instrument panel, door trims and centre console	-	-	-	-	•	£425

Options are subject to availability and may extend time taken for delivery.

All the inlay swatches on this page are matched as accurately as possible to the actual inlay colours used. However, due to print processes, Audi UK cannot guarantee that colours shown are 100% accurate. Visit your local Audi Centre for a more accurate colour swatch.

⁺Total RRP inc VAT – Recommended Retail Price including VAT which is calculated at 20%. This may alter to reflect any change in the applicable VAT rate.

- = Not available • = Available S = Standard

Interior equipment

		SE	Sport	S line	Black Edition	S4	Total RRP inc VAT [†]
QQ2	Extended LED Interior Lighting Pack – multi-coloured Includes coloured ambient lighting in the following areas: ▶ Door trims, front and rear ▶ Door storage areas, front and rear ▶ Cupholder ▶ Centre console ▶ Footwells, front and rear Three pre-defined colour profiles are available which can be individually selected or interactively set with your Audi Drive Select mode. Also available in Light and Vision Pack (WB7, 9S8)	-	•	•	•	•	£100
2PF	Flat-bottomed 3-spoke leather high multi-function steering wheel Control of on-board computer, telephone, radio and navigation system (if fitted) with both hands on the steering wheel. Includes paddles for automatic transmissions. Colour to match the selected dashboard upper section. When ordered on SE trim, the design of the steering wheel changes to the Sport trim design*	-	-	•	-	-	£225
		-	-	-	S	S	£0
QE1	Storage Pack Includes the following items in the car: ▶ Storage net on the back of the front seat backrests ▶ Closed storage compartment below exterior light switch on driver's side ▶ Lockable glovebox ▶ Cupholder in rear centre armrest Includes the following in the luggage compartment: ▶ Tensioning straps, left and right (Avant) ▶ Bag hook (Saloon) ▶ 12V socket ▶ Nets in the recess areas, left and right ▶ Luggage net	•	•	•	•	•	£175
4X4	Rear side airbags For the outer rear seats, incorporated into the seat backrests; supplements the side impact protection in the doors and the standard airbag systems	•	•	•	•	•	£350

Options are subject to availability and may extend time taken for delivery.

*Please refer to www.audi.co.uk/configurator for more information.

[†]Total RRP inc VAT – Recommended Retail Price including VAT which is calculated at 20%. This may alter to reflect any change in the applicable VAT rate.

- = Not available • = Available S = Standard

Technology Packs

Technology Pack

This pack brings together the most popular technology options that are frequently ordered together for those wanting the highest level of connectivity and navigation.

MMI Navigation Plus with MMI Touch

In addition to standard MMI Radio Plus, includes the following:

- ▶ 8.3" high-resolution, colour MMI display with aluminium frame
- ▶ Touch-sensitive control panel for fast, intuitive operation, handwriting recognition, and ability to move and zoom freely on the map
- ▶ Integrated navigation with 3D map display of places of interest
- ▶ Online map updates (includes five free updates) and myAudi special destinations which allows you to download special destinations such as your favourite restaurants into your navigation system via your myAudi account*
- ▶ Detailed route information: map preview, choice of alternative routes, POIs, lane recommendations, motorway exits, detailed junction maps and more
- ▶ Dynamic route guidance traffic updates with TMCpro (in combination with Audi Connect Infotainment Services: traffic information online)
- ▶ Natural voice recognition

- ▶ MMI search: free text search with intelligent suggestions provided during entry
- ▶ Jukebox hard drive memory for music (10GB)
- ▶ DVD drive for music CDs and video DVDs
- ▶ 2x SDXC memory card readers

Audi Connect Infotainment Services (36-month subscription)

Audi Connect Infotainment Services is the link between your Audi and the internet, giving you access to entertainment, information and search functions operated via the MMI control panel, the multi-functional steering wheel or the voice control system.

With high-speed internet access in your car via an embedded SIM within your vehicle, you can call up information such as flight times, fuel prices, weather and other online services provided by third parties (e.g. Twitter), as well as Points of Interest and high-resolution aerial and satellite pictures from Google Earth™.

For full details, please see the full model guide at www.audi.co.uk/brochures or ask for a copy from your local Audi Centre*

Audi Virtual Cockpit

Innovative 12.3" full colour digital instrument cluster for the flexible display of information tailored to the driver's needs. Displays the following:

- ▶ Vehicle/engine speed
- ▶ 3D navigation map
- ▶ Audi Connect Infotainment Services
- ▶ Radio/media information
- ▶ Driver assistance systems
- ▶ All MMI functionalities (e.g. telephone, car settings etc). The 'view' button on the multi-function steering wheel allows you to change between two differently sized representations of the instrument dials. The display with small instruments allows the onboard computer and MMI contents to be shown across the full display area

Audi Phone Box with wireless charging

Offers improved reception quality and wireless charging (with Qi-enabled compatible phones). Audi Phone Box option also provides an additional Bluetooth interface for a second device, meaning two mobile phones can be connected to the vehicle simultaneously. For mobile phone and software version compatibility, please visit your Audi Centre or www.audi.co.uk/phonecompatibility

		SE	Sport	S line	Black Edition	S4	Total RRP inc VAT ⁺
WB4	Technology Pack	-	•	•	•	-	£1,395

Options are subject to availability and may extend time taken for delivery.

*Terms and conditions apply, please see pages 64 and 65.

⁺Total RRP inc VAT – Recommended Retail Price including VAT which is calculated at 20%. This may alter to reflect any change in the applicable VAT rate.

– = Not available • = Available S = Standard

Technology Packs

Comfort and Sound Pack

A pack that adds value by combining some of our most popular options – designed to offer convenience as well as enhancing your driving comfort, sound experience and pleasure.

Advanced key with electric hands-free boot opening system

Access and authorisation system that works through automatic data exchange between key and vehicle, allowing the driver to keep the car key in their pocket or bag at all times. To unlock and open, simply lift the exterior door handle. Pressing the start/stop button integrated in the centre console starts and stops the engine. Also includes an electric hands-free boot lid release sensor located underneath the rear bumper, which can be operated by a simple kicking movement below the sensor

Bang & Olufsen 3D Sound System

The system features 19 loudspeakers including a subwoofer and centre loudspeaker and a 16-channel amplifier with an output of 755 watts. Spatial sound reproduction through the new 3D sound feature for the front seats. Includes speed-sensitive volume adjustment and illuminated loudspeakers within the front doors

Rear-view camera

An image of the area behind the vehicle is shown on the MMI display. Reversing camera is concealed in the handle strip of the luggage compartment lid

Hill-hold assist

Keeps the car stationary once it comes to a stop on uphill and downhill gradients. Remains activated for an unlimited length of time and allows the driver to pull away smoothly

		SE	Sport	S line	Black Edition	S4	Total RRP inc VAT*
WB3	Comfort and Sound Pack	•	•	•	•	•	£1,295

Options are subject to availability and may extend time taken for delivery.

*Total RRP inc VAT – Recommended Retail Price including VAT which is calculated at 20%. This may alter to reflect any change in the applicable VAT rate.

– = Not available • = Available S = Standard

Technology Packs

Light and Vision Pack

See more, both inside and outside your A4 with our advanced lighting technology and our ultimate driver's information system, Audi Virtual Cockpit. Available on S4 models only, this pack combines our most innovative options with great value.

Audi Virtual Cockpit

Innovative 12.3" full colour digital instrument cluster for the flexible display of information tailored to the driver's needs. Displays the following:

- ▶ Vehicle/engine speed
- ▶ 3D navigation map
- ▶ Audi Connect Infotainment Services
- ▶ Radio/media information
- ▶ Driver assistance systems
- ▶ All MMI functionalities (e.g. telephone, car settings etc)

The 'view' button on the multi-function steering wheel allows you to change between two differently sized representations of the instrument dials. The display with small instruments allows the onboard computer and MMI contents to be shown across the full display area

Extended LED Interior Lighting Pack – multi-coloured

Includes coloured ambient lighting in the following areas:

- ▶ Door trims, front and rear
- ▶ Door storage areas, front and rear
- ▶ Cupholder
- ▶ Centre console
- ▶ Footwells, front and rear.

Three pre-defined colour profiles are available which can be individually selected, or interactively set with your Audi Drive Select mode

Matrix LED headlights with LED rear lights and dynamic front and rear indicators

Audi Matrix LED technology provides precise illumination of the road whilst reducing the risk of dazzling other road users. Using information from the vehicle's sensors, camera and MMI Navigation (if equipped), Matrix LED calculates the appropriate lighting required and automatically dips or turns off individual lighting diodes, creating corridors of lights either side of the vehicle or the object in front of it.

Includes dynamic front and rear indicators which sweep from inside to out. This helps to clearly identify not only that the vehicle is turning, but in which direction

	SE	Sport	S line	Black Edition	S4	Total RRP inc VAT*
WB7, 9S8 Light and Vision Pack	-	-	-	-	•	£750

Options are subject to availability and may extend time taken for delivery.

*Total RRP inc VAT – Recommended Retail Price including VAT which is calculated at 20%. This may alter to reflect any change in the applicable VAT rate.

- = Not available • = Available S = Standard

Technology Audio and communication

		SE	Sport	S line	Black Edition	S4	Total RRP inc VAT [†]
9WQ	<p>Audi Entertainment Mobile Includes two detachable high definition 10.1” touchscreens fitted to the back of the front seats (supplied by Audi Genuine Accessories*). The backs of the front seats are fitted with mountings and power connections. The system can be used outside the car with rechargeable battery, which is included in the package. Content is either streamed from your iOS (iPhone) or Android (Samsung, HTC, Sony etc) smartphone via an Audi App, via an integrated SD card reader, USB cable, Miracast Wi-Fi or Bluetooth. Includes two sets of headphones, USB cable and storage bag. Only available in combination with 4-way electric lumbar support (7P1)</p>	•	•	•	•	-	£995
9S8	<p>Audi Virtual Cockpit Innovative 12.3” full colour digital instrument cluster for the flexible display of information tailored to the driver’s needs. Displays the following: ▶ Vehicle/engine speed ▶ 3D Navigation map ▶ Audi Connect Infotainment Services ▶ Radio/media information ▶ Driver assistance systems ▶ All MMI functionalities (e.g. telephone, car settings etc). The ‘view’ button on the multi-function steering wheel allows you to change between two differently sized representations of the instrument dials. The display with small instruments allows the onboard computer and MMI contents to be shown across the full display area. On Sport, S line and Black Edition only available with Technology Pack (WB4)</p>	-	-	-	-	•	£250

Options are subject to availability and may extend time taken for delivery.

*Screens must be ordered by your Audi Centre via Audi Genuine Accessories.

†Total RRP inc VAT – Recommended Retail Price including VAT which is calculated at 20%. This may alter to reflect any change in the applicable VAT rate.

- = Not available • = Available S = Standard

Technology Audio and communication continued

		SE	Sport	S line	Black Edition	S4	Total RRP inc VAT ⁺
PNU	<p>MMI Navigation (SD card-based) In addition to standard MMI Radio Plus, includes the following: ▶ Integrated navigation with 3D map display ▶ Detailed route information: map preview, choice of alternative routes, POIs, lane recommendations, motorway exits, detailed junction maps and more ▶ Dynamic route guidance with TMCpro (in combination with Audi Connect Infotainment Services: traffic information online) ▶ MMI search: free text search with intelligent suggestions provided during entry ▶ Natural voice recognition ▶ 2x SDXC memory card readers ▶ Audi Connect Infotainment Services (3-month trial)</p>	•	S	S	S	-	£550
9ZE	<p>Audi Phone Box with wireless charging Enables drivers to use their mobile phone in the car by placing it in the storage compartment provided in the front centre console to create a wireless connection to the vehicle aerial, improving reception quality (subject to network coverage). Operated via the MMI control panel, the multi-function steering wheel or the voice control system. Wireless charging available (with Qi-enabled compatible phones) or via USB port. Audi Phone Box option also provides an additional Bluetooth interface for a second device, meaning two mobile phones can be connected to the vehicle simultaneously. For mobile phone and software version compatibility, please visit your Audi Centre or www.audi.co.uk/phonecompatibility Also available in Technology Pack (WB4)</p>	•	•	•	•	•	£325

Options are subject to availability and may extend time taken for delivery.

⁺Total RRP inc VAT – Recommended Retail Price including VAT which is calculated at 20%. This may alter to reflect any change in the applicable VAT rate.

- = Not available • = Available S = Standard

Technology Driver assistance

Driver Assistance Pack – Tour

With busier roads than ever, Audi technology can keep an extra eye out. This pack brings together the driver assistance systems that support long-distance driving, especially when driving in congestion and varying average speed limit zones. As well as helping you to drive more efficiently, the pack also includes advanced safety systems.

Adaptive Cruise Control with Stop&Go and Traffic-jam assist

Automatic distance regulation, using radar sensors to maintain the required distance between your A4 and vehicles ahead by braking and accelerating. With the Stop&Go function, the system brakes the car to a stop. The driver can select from five warning thresholds and influence the system's acceleration behaviour via Audi Drive Select. Traffic-jam assist detects vehicles ahead and on adjacent lanes to assist with the braking, acceleration and also steering up to 37mph, to keep the vehicle in lane. Adaptive Cruise Control requires additional sensors in the lower front air inlets, and results in a change to the design of the inlets and differs dependent on trim. Stop&Go and Traffic-jam assist are only available when ordered with S tronic or tiptronic transmissions

Predictive efficiency assistant

The system uses navigation data e.g. speed limits, traffic signs, road bends, junctions and roundabouts to give the driver efficiency advice in the instrument cluster (or via the optional Audi Virtual Cockpit). In combination with Adaptive Cruise Control (ACC), the system uses the route data and speed limits to adjust the ACC desired speed and cornering accordingly. With automatic transmissions, the system activates free-wheeling mode or engine braking, which can help reduce fuel consumption and enhance ride comfort

Pre-sense Front

Extends the collision warning and automatic braking function of Pre-sense City to cover the entire speed range and can also increase braking initiated by the driver if this is inadequate. The system uses the camera located on the front rear-view mirror to detect vehicles and pedestrians in front, in order to reduce severity of a collision, or if possible prevent an accident. The driver is first given a visual and acoustic warning followed by partial braking and then full brake application

Camera-based traffic sign recognition

Speed limit and traffic sign display via the Driver's Information System (DIS) or optional Head-up display. Detects the following signs: speed limits (including temporary limits), overtaking restrictions and no-entry warnings

Collision avoidance assistant

Supports the driver's actions during an avoidance manoeuvre, reducing the likelihood of a collision or of swerving off the road. The system provides additional steering torque and uses vehicle sensors to calculate the optimum path of avoidance

Turn assist

When turning at junctions, from the moment the turn indicators are activated, the turn assist system detects approaching vehicles and applies braking to help avoid a collision

Active Lane Assist

Detects lane boundary markings and helps the driver to stay in lane with gentle steering intervention for greater safety and convenience, particularly on motorways. Works at speeds above 37mph

		SE	Sport	S line	Black Edition	S4	Total RRP inc VAT*
PCN	Driver Assistance Pack – Tour Only in combination with high-beam assist (8G1)	-	•	•	•	•	£1,250

Options are subject to availability and may extend time taken for delivery.

Vehicle driver assistance and safety systems are not a substitute for attentive driving. Drivers retain full responsibility for providing the necessary inputs for safe control of the vehicle.

System descriptions within this brochure are provided for information purposes only. System limitations and operational requirements apply. See manual for details.

*Total RRP inc VAT – Recommended Retail Price including VAT which is calculated at 20%. This may alter to reflect any change in the applicable VAT rate.

- = Not available • = Available S = Standard

Technology Driver assistance

Parking Assistance Pack

This pack includes the latest technology to provide help in busy traffic situations, when changing lane, exiting your car and when reversing – for the convenience and protection of all occupants.

Audi Pre-sense Basic

Audi Pre-sense is a comprehensive technical package for identifying dangers well in advance and intervening appropriately to provide extra safety and protection. Where necessary, actions are taken to protect the driver and passengers from a potential collision. These include: front seat belt tightening, activating the hazard warning system, closing the windows and the sunroof (if fitted)

360° camera

Wide-angle lenses cover the close range around the vehicle. The driver can choose between different image representations in the MMI display, including a live ‘bird’s-eye view’ image for parking. Includes guidelines which help the driver manoeuvre and navigate the vehicle into the right position

Park assist

Searches for suitable parking spaces along the road by means of ultrasonic sensors, calculates the ideal parking path and performs the steering action virtually automatically. The system can support the driver with:

- ▶ Parallel parking in reverse
- ▶ Exiting a parallel parking space, driving forwards
- ▶ Bay parking, both reverse and forwards

Steering is done by the vehicle, with the driver responsible for acceleration and application of the brakes

Audi Pre-sense Rear

Monitors vehicles following from behind and if a potential collision is detected, the driver is first warned visually via flashing light, then Audi Pre-sense Basic measures (e.g. closing windows) are initiated and if a collision is unavoidable, the system will tighten the front seat belts. The system is deactivated when towing

Audi Side Assist

Aids the driver when changing lane. Audi Side Assist monitors the area behind the vehicle, using radar sensors located discreetly in the rear bumper, informing the driver with a visual warning signal in the door mirror if there is a vehicle in their blind spot or approaching quickly from behind

Cross-traffic assist rear

Warns the driver of traffic crossing behind their own vehicle when reversing. The system alerts the driver first visually and then acoustically via the MMI, and then applies a brake jolt if a potential collision is detected

Exit warning

Monitors the rear and side of your stationary A4 and warns the occupants via a warning light on the door before they exit that vehicles/cyclists are approaching from behind

		SE	Sport	S line	Black Edition	S4	Total RRP inc VAT*
PCZ	Parking Assistance Pack Only available with optional mirrors (6XE or 6XL) and on Sport, Black Edition and S line models only available with Technology Pack (WB4)	-	•	•	•	•	£1,350

Options are subject to availability and may extend time taken for delivery.

Vehicle driver assistance and safety systems are not a substitute for attentive driving. Drivers retain full responsibility for providing the necessary inputs for safe control of the vehicle.

System descriptions within this brochure are provided for information purposes only. System limitations and operational requirements apply. See manual for details.

*Total RRP inc VAT – Recommended Retail Price including VAT which is calculated at 20%. This may alter to reflect any change in the applicable VAT rate.

– = Not available • = Available S = Standard

Technology Driver assistance

		SE	Sport	S line	Black Edition	S4	Total RRP inc VAT ⁺
KS1	Head-up display Projects warning messages or driving-related information from assistance systems and the navigation system (if ordered) in full colour onto the windscreen in the driver's direct field of vision, giving the driver faster access to information. Display is adjustable in height	•	•	•	•	•	£900
KA2	Rear-view camera An image of the area behind the vehicle is shown on the MMI display. Reversing camera is concealed in the handle strip of the luggage compartment lid. Also available as part of Comfort and Sound Pack (WB3)	•	•	•	•	•	£450
UH2	Hill-hold assist Keeps the car stationary once it comes to a stop on uphill and downhill gradients. Remains activated for an unlimited length of time and allows the driver to pull away smoothly. Also available as part of Comfort and Sound Pack (WB3)	•	•	•	•	•	£75
PCH	Audi Side Assist including Audi Pre-sense Rear Audi Side Assist aids the driver when changing lane by monitoring the area behind the car. It informs the driver with a visual warning signal in the door mirror if there is a vehicle in their blind spot. Also includes Audi Pre-sense Basic that, where necessary, takes action to help protect the driver and passengers if a potential collision is detected. While Audi Pre-sense Rear monitors vehicles following from behind and if a potential collision is detected the driver is first warned visually via flashing light, then Audi Pre-sense Basic measures are initiated. The system is deactivated when towing	•	•	•	•	•	£775

Options are subject to availability and may extend time taken for delivery.

Vehicle driver assistance and safety systems are not a substitute for attentive driving. Drivers retain full responsibility for providing the necessary inputs for safe control of the vehicle.

System descriptions within this brochure are provided for information purposes only. System limitations and operational requirements apply. See manual for details.

⁺Total RRP inc VAT – Recommended Retail Price including VAT which is calculated at 20%. This may alter to reflect any change in the applicable VAT rate.

– = Not available • = Available S = Standard

Audi warranty

All new Audi models come with a 3-year warranty as standard, and you can choose to extend this to a 4 or 5-year warranty* for a one-off cost. What's more, if you decide to sell your Audi before the warranty expires, it will be fully transferred to the new owner. Warranty terms and conditions apply. Please see www.audi.co.uk/warrantyterms for further details.

		SE	Sport	S line	Black Edition	S4	Total RRP inc VAT [†]
-	Audi warranty , covering you for unlimited mileage in the first 2 years of ownership, and up to 60,000 miles in the third year. Transferable between owners**	S	S	S	S	S	£0
EA6	Audi warranty , covering you for up to 4 years or 75,000 miles, whichever comes sooner. Cover includes a 2-year unlimited-mileage warranty, and up to 75,000 miles in the third and fourth years. Transferable between owners**	•	•	•	•	•	£385
EA9	Audi warranty , covering you for up to 5 years or 90,000 miles, whichever comes sooner. Cover includes a 2-year unlimited-mileage warranty, and up to 90,000 miles in the third, fourth and fifth years. Transferable between owners**	•	•	•	•	•	£905

*3-year warranty consists of a 2-year unlimited-mileage warranty and a third year warranty with a 60,000-mile limitation. 4-year warranty consists of a 2-year unlimited-mileage warranty and 2 further years' coverage with a 75,000-mile limitation. 5-year warranty consists of a 2-year unlimited-mileage warranty and 3 further years' coverage with a 90,000-mile limitation.

**Only available before registration of your Audi. Please speak to your Audi Centre for full details.

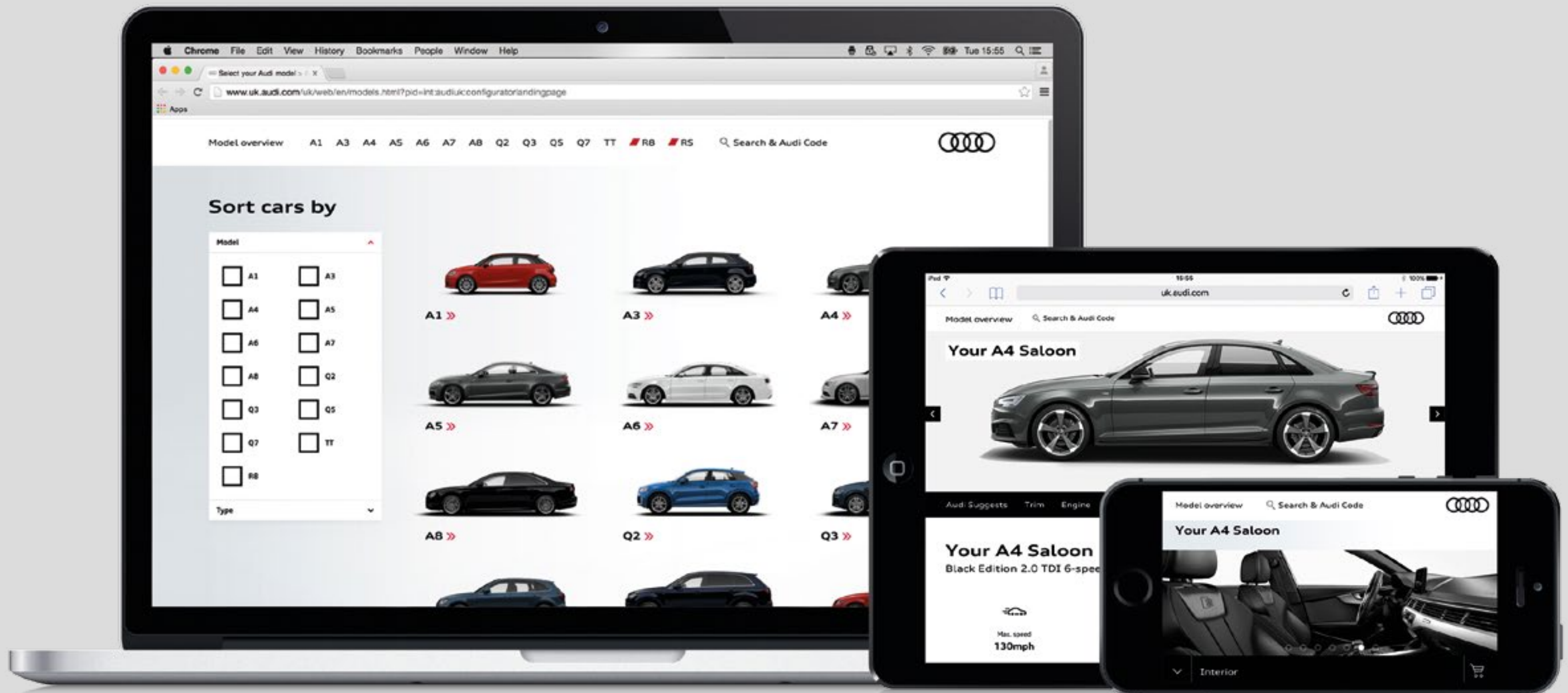
[†]Total RRP inc VAT – Recommended Retail Price including VAT which is calculated at 20%. This may alter to reflect any change in the applicable VAT rate.

- = Not available • = Available S = Standard

Audi configurator

The easy way to build your Audi

Our online configurator makes it easy to create and price your ideal Audi by simply choosing your favourite options.



Visit www.audi.co.uk/configurator to create your perfect Audi A4

Financing your Audi

A range of finance plans designed to suit you

At Audi, we offer a range of ways to finance your new Audi A4 – with most finance agreements, you just need to choose your annual mileage and the length of the term, then pay an initial deposit which could be as little as one monthly payment.* For more details, see the accompanying Audi Finance booklet, or speak to your local Audi Centre.

Solutions Personal Contract Plan

A flexible finance plan designed to give you a number of options, making it ideal if you want to change your car more regularly. At the end of the agreement, you have three choices:

1. Exchange the car for a new Audi.
2. Pay the option to purchase fee and optional final payment, then take full ownership of the car.
3. Simply return the car to Audi (fees may be payable).

Hire Purchase

If you know you'd like to keep your Audi, Hire Purchase could be right for you. And as you're making your payments with a view to owning the car, there's no restriction on how far you can drive each year.

Contract Hire

If you don't want to own your Audi, Contract Hire could be a great option. You can add a service, maintenance and tyres plan and, for VAT-registered businesses, an element of the VAT on rentals may be recoverable. You simply need to commit to a regular monthly payment and hand your car back at the end of your agreement (subject to our return standards).

Online Finance Calculators

Use our finance calculators to get a personalised quote that suits you. Simply visit the Finance and Offers section on www.audi.co.uk and you can choose between our Solutions Personal Contract Plan and Contract Hire calculators and see what you can expect to pay for your new Audi.

Audi Insurance

To ensure you can start enjoying your new car from day one, the first five days' insurance[†] is included as standard with all new Audi models. To activate it, simply call 0330 303 6900, give us a few details and you can drive it away as soon as you take delivery.

Telephone lines are open Monday to Friday 8am–8pm, and Saturday 9am–4pm. For details of our full range of insurance products, visit www.insurewithaudi.co.uk

*An offer of finance depends on certain conditions. Finance subject to status. Available to 18s and over. Terms and conditions apply. Audi Financial Services.†Subject to eligibility criteria. Audi Motor Insurance is sold and administered by Ageas Retail Limited. Audi Financial Services is a trading name of Volkswagen Financial Services (UK) Limited ("VWFS UK"). Registered in England and Wales No. 2835230. Registered Office: Brunswick Court, Yeomans Drive, Blakelands, Milton Keynes MK14 5LR. Financial and consumer credit services are provided by VWFS UK. Volkswagen Financial Services (UK) Limited is authorised and regulated by the Financial Conduct Authority, registration number 311988. Audi Motor Insurance from Audi Financial Services is sold and administered by Ageas Retail Limited, registered in England and Wales No. 1324965. Registered office: Ageas House, Hampshire Corporate Park, Templars Way, Eastleigh, Hampshire SO53 3YA. Ageas Retail Limited is authorised and regulated by the Financial Conduct Authority (FCA), registration number 312468. Volkswagen Financial Services (UK) and Ageas Retail Limited are not part of the same corporate group.

A4 Saloon technical data – petrol engines

All of our A4 engines meet EU6 emissions standards.

	Petrol engines			
Engine	1.4 TFSI	1.4 TFSI	2.0 TFSI	2.0 TFSI quattro
Transmission	6-speed manual	7-speed S tronic	7-speed S tronic	7-speed S tronic
Cylinder	4-cylinder	4-cylinder	4-cylinder	4-cylinder
Displacement, cubic cm	1395	1395	1984	1984
Max. power, ¹ PS at rpm	150/5000–6000	150/5000–6000	190/4200–6000	252/5000–6000
Performance				
Max. torque, Nm at rpm	250/1500–3500	250/1500–3500	320/1450–4200	370/1600–4500
0–62mph acceleration, seconds	8.7	8.5	7.3	5.8
Top speed, mph	130	130	149	155
Weight				
Unladen weight, ² kg	1320	1375	1505	1510
Gross weight limit, kg	1890	1945	2020	2080
Further information				
Roof load limit/nose weight, kg	90/80	90/80	90/80	90/80
Max. trailer load unbraked, ³ kg	690	720	740	750
Max. trailer load with 12%/8% gradient, ³ kg	1400/1600	1500/1700	1500/1700	1700/1900
Fuel tank approx. capacity, litres	54	54	54	58
ABI insurance group 1–50 ⁴	20E	TBC	26E	30E

¹The given value was obtained in accordance with the specified measurement procedure (the respective current version of the Directive 80/1269/EEC). The maximum power output figures are quoted in PS (or Pferdestärke, which is the metric equivalent of brake horsepower). To convert to brake horsepower, divide the PS figure by 1.0139. ²Vehicle's unladen weight without driver (calculated in accordance with the current version of Directive (80/1268/EEC). The fitting of additional equipment may increase the vehicle's unladen weight and drag coefficient, whereupon the potential carrying capacity and top speed will be correspondingly reduced. ³The engine's power output always goes down with increasing altitude. At 1,000m above sea level, and for every additional 1,000m, deduct 10% from the weight of the outfit (trailer load limit + gross weight of the towing vehicle). ⁴Highest insurance group rating shown. Group may be lower dependent on trim level. Please visit www.thatcham.org/abigrouprating for details.

A4 Saloon technical data – petrol engines continued

Depending on your chosen A4 wheel size, different efficiency figures for CO₂ emissions and fuel consumption will apply (based on EU directive no. 715/2007 effective 01/09/14). This table is a quick reference guide to help you find the correct values based on wheel sizes and your chosen engine.

		Petrol engines			
Engine		1.4 TFSI	1.4 TFSI	2.0 TFSI	2.0 TFSI quattro
Transmission		6-speed manual	7-speed S tronic	7-speed S tronic	7-speed S tronic
Max. power, ¹ PS at rpm		150/5000–6000	150/5000–6000	190/4200–6000	252/5000–6000
Wheel and Tyre Clustering					
CO ₂ emissions, ² g/km	17" wheels	126	122	122	136
	18" wheels	128	126	126	145
	19" wheels	131	129	126	146
Benefit in kind 2017/18 tax year (BIK)%	17" wheels	24%	23%	23%	26%
	18" wheels	24%	24%	24%	28%
	19" wheels	25%	24%	24%	28%
Fuel consumption, ² mpg (l/100km) Urban	17" wheels	41.5 (6.8)	41.5 (6.8)	40.4 (7.0)	36.7 (7.7)
	18" wheels	40.9 (6.9)	40.4 (7.0)	40.4 (7.0)	35.8 (7.9)
	19" wheels	40.4 (7.0)	39.8 (7.1)	40.4 (7.0)	35.8 (7.9)
Fuel consumption, ² mpg (l/100km) Extra Urban	17" wheels	62.8 (4.5)	64.2 (4.4)	62.8 (4.5)	56.5 (5.0)
	18" wheels	61.4 (4.6)	61.4 (4.6)	60.1 (4.7)	51.4 (5.5)
	19" wheels	58.9 (4.8)	60.1 (4.7)	60.1 (4.7)	50.4 (5.6)
Fuel consumption, ² mpg (l/100km) Combined	17" wheels	53.3 (5.3)	53.3 (5.3)	52.3 (5.4)	47.9 (5.9)
	18" wheels	52.3 (5.4)	51.4 (5.5)	50.4 (5.6)	44.1 (6.4)
	19" wheels	51.4 (5.5)	50.4 (5.6)	50.4 (5.6)	43.5 (6.5)

The information on this page is relevant for new factory orders only and is correct at time of publication. Please confirm with your Audi Centre the exact specification and technical data for your model. ¹The given value was obtained in accordance with the specified measurement procedure (the respective current version of the Directive 80/1269/EEC). The maximum power output figures are quoted in PS (or Pferdestärke, which is the metric equivalent of brake horsepower). To convert to brake horsepower, divide the PS figure by 1.0139. ²Fuel consumption and CO₂ emissions figures are obtained under standardised test conditions (Directive 93/116/EEC) using a representative model. This allows direct comparison between different models from different manufacturers, but may not represent the actual fuel consumption achieved in 'real world' driving conditions. More information is available at www.dft.gov.uk/vca

A4 Saloon technical data – diesel engines

All of our A4 engines meet EU6 emissions standards. For diesel engines, this means the addition of an AdBlue® tank to ensure compliance. The AdBlue® tank size for your engine is shown below and it may require a top-up between services.

	Diesel engines					
Engine	2.0 TDI ultra*	2.0 TDI ultra*	2.0 TDI	2.0 TDI	2.0 TDI ultra*	2.0 TDI ultra*
Transmission	6-speed manual	7-speed S tronic	6-speed manual	7-speed S tronic	6-speed manual	7-speed S tronic
Cylinder	4-cylinder	4-cylinder	4-cylinder	4-cylinder	4-cylinder	4-cylinder
Displacement, cubic cm	1968	1968	1968	1968	1968	1968
Max. power, ¹ PS at rpm	150/3250–4200	150/3250–4200	150/3250–4200	150/3250–4200	190/3800–4200	190/3800–4200
Performance						
Max. torque, Nm at rpm	320/1500–3250	320/1500–3250	320/1500–3250	320/1500–3250	400/1750–3000	400/1750–3000
0–62mph acceleration, seconds	8.9	8.7	8.9	8.7	7.7	7.7
Top speed, mph	130	130	137	136	130	130
Weight						
Unladen weight, ² kg	1430	1470	1430	1465	1430	1470
Gross weight limit, kg	2030	2070	2030	2065	2040	2070
Further information						
Roof load limit/nose weight, kg	90/80	90/80	90/80	90/80	90/80	90/80
Max. trailer load unbraked, ³ kg	750	750	750	750	750	750
Max. trailer load with 12%/8% gradient, ³ kg	1400/1600	1400/1600	1700/1900	1700/1900	1400/1600	1400/1600
Fuel tank approx. capacity, litres	40	40	40	40	40	40
AdBlue® tank approx. capacity, litres	12	12	12	12	12	12
ABI insurance group 1–50 ⁴	20E	20E	20E	20E	27E	27E

*ultra TDI models come with low rolling resistance tyres. ¹The given value was obtained in accordance with the specified measurement procedure (the respective current version of the Directive 80/1269/EEC). The maximum power output figures are quoted in PS (or Pferdestärke, which is the metric equivalent of brake horsepower). To convert to brake horsepower, divide the PS figure by 1.0139. ²Vehicle's unladen weight without driver (calculated in accordance with the current version of Directive (80/1268/EEC). The fitting of additional equipment may increase the vehicle's unladen weight and drag coefficient, whereupon the potential carrying capacity and top speed will be correspondingly reduced. ³The engine's power output always goes down with increasing altitude. At 1,000m above sea level, and for every additional 1,000m, deduct 10% from the weight of the outfit (trailer load limit + gross weight of the towing vehicle). ⁴Highest insurance group rating shown. Group may be lower dependent on trim level. Please visit www.thatcham.org/abigrouprating for details.

A4 Saloon technical data – diesel engines continued

All of our A4 engines meet EU6 emissions standards. For diesel engines, this means the addition of an AdBlue® tank to ensure compliance. The AdBlue® tank size for your engine is shown below and it may require a top-up between services.

	Diesel engines				
Engine	2.0 TDI	2.0 TDI	2.0 TDI quattro	3.0 V6 TDI quattro	3.0 V6 TDI quattro
Transmission	6-speed manual	7-speed S tronic	7-speed S tronic	7-speed S tronic	8-speed tiptronic
Cylinder	4-cylinder	4-cylinder	4-cylinder	6-cylinder	6-cylinder
Displacement, cubic cm	1968	1968	1968	2967	2967
Max. power, ¹ PS at rpm	190/3800–4200	190/3800–4200	190/3800–4200	218/4000–5000	272/3250–4250
Performance					
Max. torque, Nm at rpm	400/1750–3000	400/1750–3000	400/1750–3000	400/1250–3750	600/1500–3000
0–62mph acceleration, seconds	7.7	7.7	7.2	6.3	5.3
Top speed, mph	149	147	146	155	155
Weight					
Unladen weight, ² kg	1450	1480	1575	1620	1660
Gross weight limit, kg	2045	2075	2160	2190	2230
Further information					
Roof load limit/nose weight, kg	90/80	90/80	90/80	90/80	90/80
Max. trailer load unbraked, ³ kg	750	750	750	750	750
Max. trailer load with 12%/8% gradient, ³ kg	1700/1900	1700/1900	1800/2000	1800/2000	1900/2100
Fuel tank approx. capacity, litres	40	40	58	58	58
AdBlue® tank approx. capacity, litres	12	12	12	12	12
ABI insurance group 1–50 ⁴	26E	26E	26E	27E	36E

¹The given value was obtained in accordance with the specified measurement procedure (the respective current version of the Directive 80/1269/EEC). The maximum power output figures are quoted in PS (or Pferdestärke, which is the metric equivalent of brake horsepower). To convert to brake horsepower, divide the PS figure by 1.0139. ²Vehicle's unladen weight without driver (calculated in accordance with the current version of Directive (80/1268/EEC). The fitting of additional equipment may increase the vehicle's unladen weight and drag coefficient, whereupon the potential carrying capacity and top speed will be correspondingly reduced. ³The engine's power output always goes down with increasing altitude. At 1,000m above sea level, and for every additional 1,000m, deduct 10% from the weight of the outfit (trailer load limit + gross weight of the towing vehicle). ⁴Highest insurance group rating shown. Group may be lower dependent on trim level. Please visit www.thatcham.org/abigrouprating for details.

A4 Saloon technical data – diesel engines continued

Depending on your chosen A4 wheel size, different efficiency figures for CO₂ emissions and fuel consumption will apply (based on EU directive no. 715/2007 effective 01/09/14). This table is a quick reference guide to help you find the correct values based on wheel sizes and your chosen engine.

		Diesel engines					
Engine		2.0 TDI ultra*	2.0 TDI ultra*	2.0 TDI	2.0 TDI	2.0 TDI ultra*	2.0 TDI ultra*
Transmission		6-speed manual	7-speed S tronic	6-speed manual	7-speed S tronic	6-speed manual	7-speed S tronic
Max. power, ¹ PS at rpm		150/3250–4200	150/3250–4200	150/3250–4200	150/3250–4200	190/3800–4200	190/3800–4200
Wheel and Tyre Clustering							
CO ₂ emissions, ² g/km	17" wheels	99	101	-	-	102	103
	18" wheels	103	107	106	109	107	109
	19" wheels	-	-	111	112	-	-
Benefit in kind 2017/18 tax year (BIK)%	17" wheels	21%	22%	-	-	22%	22%
	18" wheels	22%	23%	23%	23%	23%	23%
	19" wheels	-	-	24%	24%	-	-
Fuel consumption, ² mpg (l/100km) Urban	17" wheels	62.8 (4.5)	60.1 (4.7)	-	-	58.9 (4.8)	60.1 (4.7)
	18" wheels	60.1 (4.7)	57.6 (4.9)	58.9 (4.8)	56.5 (5.0)	56.5 (5.0)	57.6 (4.9)
	19" wheels	-	-	56.5 (5.0)	55.4 (5.1)	-	-
Fuel consumption, ² mpg (l/100km) Extra Urban	17" wheels	83.1 (3.4)	80.7 (3.5)	-	-	80.7 (3.5)	80.7 (3.5)
	18" wheels	78.5 (3.6)	76.3 (3.7)	76.3 (3.7)	74.3 (3.8)	76.3 (3.7)	74.3 (3.8)
	19" wheels	-	-	72.4 (3.9)	72.4 (3.9)	-	-
Fuel consumption, ² mpg (l/100km) Combined	17" wheels	74.3 (3.8)	72.4 (3.9)	-	-	72.4 (3.9)	70.6 (4.0)
	18" wheels	70.6 (4.0)	68.9 (4.1)	70.6 (4.0)	67.3 (4.2)	68.9 (4.1)	67.3 (4.2)
	19" wheels	-	-	67.3 (4.2)	65.7 (4.3)	-	-

The information on this page is relevant for new factory orders only and is correct at time of publication. Please confirm with your Audi Centre the exact specification and technical data for your model. *All TDI ultra engines come with rolling resistance tyres. ¹The given value was obtained in accordance with the specified measurement procedure (the respective current version of the Directive 80/1269/EEC). The maximum power output figures are quoted in PS (or Pferdestärke, which is the metric equivalent of brake horsepower). To convert to brake horsepower, divide the PS figure by 1.0139. ²Fuel consumption and CO₂ emissions figures are obtained under standardised test conditions (Directive 93/116/EEC) using a representative model. This allows direct comparison between different models from different manufacturers, but may not represent the actual fuel consumption achieved in 'real world' driving conditions and may be affected by optional equipment. More information is available at www.dft.gov.uk/vca

A4 Saloon technical data – diesel engines continued

Depending on your chosen A4 wheel size, different efficiency figures for CO₂ emissions and fuel consumption will apply (based on EU directive no. 715/2007 effective 01/09/14). This table is a quick reference guide to help you find the correct values based on wheel sizes and your chosen engine.

		Diesel engines				
Engine		2.0 TDI	2.0 TDI	2.0 TDI quattro	3.0 V6 TDI quattro	3.0 V6 TDI quattro
Transmission		6-speed manual	7-speed S tronic	7-speed S tronic	7-speed S tronic	8-speed tiptronic
Max. power, ¹ PS at rpm		190/3800–4200	190/3800–4200	190/3800–4200	218/4000–5000	272/3250–4250
Wheel and Tyre Clustering						
CO ₂ emissions, ² g/km	17" wheels	-	-	114	119	129
	18" wheels	113	111	118	123	134
	19" wheels	118	113	121	127	137
Benefit in kind 2017/18 tax year (BIK)%	17" wheels	-	-	24%	25%	27%
	18" wheels	24%	24%	25%	26%	28%
	19" wheels	25%	24%	26%	27%	29%
Fuel consumption, ² mpg (l/100km) Urban	17" wheels	-	-	55.4 (5.1)	57.6 (4.9)	52.3 (5.4)
	18" wheels	54.3 (5.2)	57.6 (4.9)	54.3 (5.2)	56.5 (5.0)	51.4 (5.5)
	19" wheels	52.3 (5.4)	56.5 (5.0)	53.3 (5.3)	55.4 (5.1)	50.4 (5.6)
Fuel consumption, ² mpg (l/100km) Extra Urban	17" wheels	-	-	70.6 (4.0)	64.2 (4.4)	61.4 (4.6)
	18" wheels	72.4 (3.9)	74.3 (3.8)	68.9 (4.1)	61.4 (4.6)	58.9 (4.8)
	19" wheels	68.9 (4.1)	72.4 (3.9)	65.7 (4.3)	60.1 (4.7)	57.6 (4.9)
Fuel consumption, ² mpg (l/100km) Combined	17" wheels	-	-	64.2 (4.4)	61.4 (4.6)	57.6 (4.9)
	18" wheels	64.2 (4.4)	67.3 (4.2)	62.8 (4.5)	60.1 (4.7)	55.4 (5.1)
	19" wheels	62.8 (4.5)	65.7 (4.3)	61.4 (4.6)	58.9 (4.8)	54.3 (5.2)

The information on this page is relevant for new factory orders only and is correct at time of publication. Please confirm with your Audi Centre the exact specification and technical data for your model. ¹The given value was obtained in accordance with the specified measurement procedure (the respective current version of the Directive 80/1269/EEC). The maximum power output figures are quoted in PS (or Pferdestärke, which is the metric equivalent of brake horsepower). To convert to brake horsepower, divide the PS figure by 1.0139. ²Fuel consumption and CO₂ emissions figures are obtained under standardised test conditions (Directive 93/116/EEC) using a representative model. This allows direct comparison between different models from different manufacturers, but may not represent the actual fuel consumption achieved in 'real world' driving conditions and may be affected by optional equipment. More information is available at www.dft.gov.uk/vca

A4 Avant technical data – petrol engines

All of our A4 engines meet EU6 emissions standards.

	Petrol engines			
Engine	1.4 TFSI	1.4 TFSI	2.0 TFSI	2.0 TFSI quattro
Transmission	6-speed manual	7-speed S tronic	7-speed S tronic	7-speed S tronic
Cylinder	4-cylinder	4-cylinder	4-cylinder	4-cylinder
Displacement, cubic cm	1395	1395	1984	1984
Max. power, ¹ PS at rpm	150/5000–6000	150/5000–6000	190/4200–6000	252/5000–6000
Performance				
Max. torque, Nm at rpm	250/1500–3500	250/1500–3500	320/1450–4200	370/1600–4500
0–62mph acceleration, seconds	9.0	8.9	7.5	6.0
Top speed, mph	130	130	148	155
Weight				
Unladen weight, ² kg	1370	1415	1565	1540
Gross weight limit, kg	1960	2005	2095	2130
Further information				
Roof load limit/nose weight, kg	90/80	90/80	90/80	90/80
Max. trailer load unbraked, ³ kg	720	740	750	750
Max. trailer load with 12%/8% gradient, ³ kg	1400/1600	1500/1700	1500/1700	1700/1900
Fuel tank approx. capacity, litres	54	54	54	58
ABI insurance group 1–50 ⁴	20E	TBC	26E	30E

¹The given value was obtained in accordance with the specified measurement procedure (the respective current version of the Directive 80/1269/EEC). The maximum power output figures are quoted in PS (or Pferdestärke, which is the metric equivalent of brake horsepower). To convert to brake horsepower, divide the PS figure by 1.0139. ²Vehicle's unladen weight without driver (calculated in accordance with the current version of Directive (80/1268/EEC). The fitting of additional equipment may increase the vehicle's unladen weight and drag coefficient, whereupon the potential carrying capacity and top speed will be correspondingly reduced. ³The engine's power output always goes down with increasing altitude. At 1,000m above sea level, and for every additional 1,000m, deduct 10% from the weight of the outfit (trailer load limit + gross weight of the towing vehicle). ⁴Highest insurance group rating shown. Group may be lower dependent on trim level. Please visit www.thatcham.org/abigrouprating for details.

A4 Avant technical data – petrol engines continued

Depending on your chosen A4 wheel size, different efficiency figures for CO₂ emissions and fuel consumption will apply (based on EU directive no. 715/2007 effective 01/09/14). This table is a quick reference guide to help you find the correct values based on wheel sizes and your chosen engine.

		Petrol engines			
Engine		1.4 TFSI	1.4 TFSI	2.0 TFSI	2.0 TFSI quattro
Transmission		6-speed manual	7-speed S tronic	7-speed S tronic	7-speed S tronic
Max. power, ¹ PS at rpm		150/5000–6000	150/5000–6000	190/4200–6000	252/5000–6000
Wheel and Tyre Clustering					
CO ₂ emissions, ² g/km	17" wheels	131	126	127	-
	18" wheels	133	129	130	149
	19" wheels	139	131	131	150
Benefit in kind 2017/18 tax year (BIK)%	17" wheels	25%	24%	24%	-
	18" wheels	25%	24%	25%	28%
	19" wheels	26%	25%	25%	29%
Fuel consumption, ² mpg (l/100km) Urban	17" wheels	40.4 (7.0)	40.4 (7.0)	39.8 (7.1)	-
	18" wheels	39.8 (7.1)	39.8 (7.1)	39.2 (7.2)	35.3 (8.0)
	19" wheels	38.7 (7.3)	39.2 (7.2)	39.2 (7.2)	35.3 (8.0)
Fuel consumption, ² mpg (l/100km) Extra Urban	17" wheels	58.9 (4.8)	61.4 (4.6)	60.1 (4.7)	-
	18" wheels	58.9 (4.8)	60.1 (4.7)	57.6 (4.9)	49.6 (5.7)
	19" wheels	56.5 (5.0)	58.9 (4.8)	56.5 (5.0)	48.7 (5.8)
Fuel consumption, ² mpg (l/100km) Combined	17" wheels	51.4 (5.5)	51.4 (5.5)	50.4 (5.6)	-
	18" wheels	50.4 (5.6)	50.4 (5.6)	49.6 (5.7)	42.8 (6.6)
	19" wheels	48.7 (5.8)	49.6 (5.7)	48.7 (5.8)	42.8 (6.6)

The information on this page is relevant for new factory orders only and is correct at time of publication. Please confirm with your Audi Centre the exact specification and technical data for your model. ¹The given value was obtained in accordance with the specified measurement procedure (the respective current version of the Directive 80/1269/EEC). The maximum power output figures are quoted in PS (or Pferdestärke, which is the metric equivalent of brake horsepower). To convert to brake horsepower, divide the PS figure by 1.0139. ²Fuel consumption and CO₂ emissions figures are obtained under standardised test conditions (Directive 93/116/EEC) using a representative model. This allows direct comparison between different models from different manufacturers, but may not represent the actual fuel consumption achieved in 'real world' driving conditions. More information is available at www.dft.gov.uk/vca

A4 Avant technical data – diesel engines

All of our A4 engines meet EU6 emissions standards. For diesel engines, this means the addition of an AdBlue® tank to ensure compliance. The AdBlue® tank size for your engine is shown below and it may require a top-up between services.

	Diesel engines					
Engine	2.0 TDI ultra*	2.0 TDI ultra*	2.0 TDI	2.0 TDI	2.0 TDI ultra*	2.0 TDI ultra*
Transmission	6-speed manual	7-speed S tronic	6-speed manual	7-speed S tronic	6-speed manual	7-speed S tronic
Cylinder	4-cylinder	4-cylinder	4-cylinder	4-cylinder	4-cylinder	4-cylinder
Displacement, cubic cm	1968	1968	1968	1968	1968	1968
Max. power, ¹ PS at rpm	150/3250–4200	150/3250–4200	150/3250–4200	150/3250–4200	190/3800–4200	190/3800–4200
Performance						
Max. torque, Nm at rpm	320/1500–3250	320/1500–3250	320/1500–3250	320/1500–3250	400/1750–3000	400/1750–3000
0–62mph acceleration, seconds	9.2	9.0	9.2	9.0	7.9	7.9
Top speed, mph	130	130	133	132	130	130
Weight						
Unladen weight, ² kg	1480	1525	1475	1525	1500	1530
Gross weight limit, kg	2100	2145	2095	2145	2120	2150
Further information						
Roof load limit/nose weight, kg	90/80	90/80	90/80	90/80	90/80	90/80
Max. trailer load unbraked, ³ kg	750	750	750	750	750	750
Max. trailer load with 12%/8% gradient, ³ kg	1400/1600	1400/1600	1700/1900	1700/1900	1400/1600	1400/1600
Fuel tank approx. capacity, litres	40	40	40	40	40	40
AdBlue® tank approx. capacity, litres	12	12	12	12	12	12
ABI insurance group 1–50 ⁴	20E	20E	20E	20E	27E	27E

*All TDI ultra models come with low rolling resistance tyres. ¹The given value was obtained in accordance with the specified measurement procedure (the respective current version of the Directive 80/1269/EEC). The maximum power output figures are quoted in PS (or Pferdestärke, which is the metric equivalent of brake horsepower). To convert to brake horsepower, divide the PS figure by 1.0139. ²Vehicle's unladen weight without driver (calculated in accordance with the current version of Directive (80/1268/EEC). The fitting of additional equipment may increase the vehicle's unladen weight and drag coefficient, whereupon the potential carrying capacity and top speed will be correspondingly reduced. ³The engine's power output always goes down with increasing altitude. At 1,000m above sea level, and for every additional 1,000m, deduct 10% from the weight of the outfit (trailer load limit + gross weight of the towing vehicle). ⁴Highest insurance group rating shown. Group may be lower dependent on trim level. Please visit www.thatcham.org/abigrouprating for details.

A4 Avant technical data – diesel engines continued

All of our A4 engines meet EU6 emissions standards. For diesel engines, this means the addition of an AdBlue® tank to ensure compliance. The AdBlue® tank size for your engine is shown below and it may require a top-up between services.

	Diesel engines				
Engine	2.0 TDI	2.0 TDI	2.0 TDI quattro	3.0 V6 TDI quattro	3.0 V6 TDI quattro
Transmission	6-speed manual	7-speed S tronic	7-speed S tronic	7-speed S tronic	8-speed tiptronic
Cylinder	4-cylinder	4-cylinder	4-cylinder	6-cylinder	6-cylinder
Displacement, cubic cm	1968	1968	1968	2967	2967
Max. power, ¹ PS at rpm	190/3800–4200	190/3800–4200	190/3800–4200	218/4000–5000	272/3250–4250
Performance					
Max. torque, Nm at rpm	400/1750–3000	400/1750–3000	400/1750–3000	400/1250–3750	600/1500–3000
0–62mph acceleration, seconds	7.9	7.9	7.4	6.4	5.4
Top speed, mph	146	143	143	152	155
Weight					
Unladen weight, ² kg	1515	1530	1615	1660	1695
Gross weight limit, kg	2130	2145	2220	2250	2285
Further information					
Roof load limit/nose weight, kg	90/80	90/80	90/80	90/80	90/80
Max. trailer load unbraked, ³ kg	750	750	750	750	750
Max. trailer load with 12%/8% gradient, ³ kg	1700/1900	1700/1900	1800/2000	1800/2000	1900/2100
Fuel tank approx. capacity, litres	40	40	58	58	58
AdBlue® tank approx. capacity, litres	12	12	12	12	12
ABI insurance group 1–50 ⁴	26E	26E	26E	27E	36E

¹The given value was obtained in accordance with the specified measurement procedure (the respective current version of the Directive 80/1269/EEC). The maximum power output figures are quoted in PS (or Pferdestärke, which is the metric equivalent of brake horsepower). To convert to brake horsepower, divide the PS figure by 1.0139. ²Vehicle's unladen weight without driver (calculated in accordance with the current version of Directive (80/1268/EEC). The fitting of additional equipment may increase the vehicle's unladen weight and drag coefficient, whereupon the potential carrying capacity and top speed will be correspondingly reduced. ³The engine's power output always goes down with increasing altitude. At 1,000m above sea level, and for every additional 1,000m, deduct 10% from the weight of the outfit (trailer load limit + gross weight of the towing vehicle). ⁴Highest insurance group rating shown. Group may be lower dependent on trim level. Please visit www.thatcham.org/abigrouprating for details.

A4 Avant technical data – diesel engines continued

Depending on your chosen A4 wheel size, different efficiency figures for CO₂ emissions and fuel consumption will apply (based on EU directive no. 715/2007 effective 01/09/14). This table is a quick reference guide to help you find the correct values based on wheel sizes and your chosen engine.

		Diesel engines					
Engine		2.0 TDI ultra*	2.0 TDI ultra*	2.0 TDI	2.0 TDI	2.0 TDI ultra*	2.0 TDI ultra*
Transmission		6-speed manual	7-speed S tronic	6-speed manual	7-speed S tronic	6-speed manual	7-speed S tronic
Max. power, ¹ PS at rpm		150/3250–4200	150/3250–4200	150/3250–4200	150/3250–4200	190/3800–4200	190/3800–4200
Wheel and Tyre Clustering							
CO ₂ emissions, ² g/km	17" wheels	104	104	-	-	106	106
	18" wheels	108	110	111	112	111	112
	19" wheels	-	-	116	115	-	-
Benefit in kind 2017/18 tax year (BIK)%	17" wheels	22%	22%	-	-	23%	23%
	18" wheels	23%	24%	24%	24%	24%	24%
	19" wheels	-	-	25%	25%	-	-
Fuel consumption, ² mpg (l/100km) Urban	17" wheels	60.1 (4.7)	58.9 (4.8)	-	-	56.5 (5.0)	58.9 (4.8)
	18" wheels	58.9 (4.8)	56.5 (5.0)	56.5 (5.0)	55.4 (5.1)	55.4 (5.1)	56.5 (5.0)
	19" wheels	-	-	55.4 (5.1)	54.3 (5.2)	-	-
Fuel consumption, ² mpg (l/100km) Extra Urban	17" wheels	78.5 (3.6)	78.5 (3.6)	-	-	76.3 (3.7)	78.5 (3.6)
	18" wheels	76.3 (3.7)	74.3 (3.8)	74.3 (3.8)	72.4 (3.9)	74.3 (3.8)	72.4 (3.9)
	19" wheels	-	-	70.6 (4.0)	70.6 (4.0)	-	-
Fuel consumption, ² mpg (l/100km) Combined	17" wheels	70.6 (4.0)	70.6 (4.0)	-	-	68.9 (4.1)	68.9 (4.1)
	18" wheels	68.9 (4.1)	67.3 (4.2)	67.3 (4.2)	65.7 (4.3)	67.3 (4.2)	65.7 (4.3)
	19" wheels	-	-	65.7 (4.3)	64.2 (4.4)	-	-

The information on this page is relevant for new factory orders only and is correct at time of publication. Please confirm with your Audi Centre the exact specification and technical data for your model. *All TDI ultra engines come with rolling resistance tyres. ¹The given value was obtained in accordance with the specified measurement procedure (the respective current version of the Directive 80/1269/EEC). The maximum power output figures are quoted in PS (or Pferdestärke, which is the metric equivalent of brake horsepower). To convert to brake horsepower, divide the PS figure by 1.0139. ²Fuel consumption and CO₂ emissions figures are obtained under standardised test conditions (Directive 93/116/EEC) using a representative model. This allows direct comparison between different models from different manufacturers, but may not represent the actual fuel consumption achieved in 'real world' driving conditions and may be affected by optional equipment. More information is available at www.dft.gov.uk/vca

A4 Avant technical data – diesel engines continued

Depending on your chosen A4 wheel size, different efficiency figures for CO₂ emissions and fuel consumption will apply (based on EU directive no. 715/2007 effective 01/09/14). This table is a quick reference guide to help you find the correct values based on wheel sizes and your chosen engine.

		Diesel engines				
Engine		2.0 TDI	2.0 TDI	2.0 TDI quattro	3.0 V6 TDI quattro	3.0 V6 TDI quattro
Transmission		6-speed manual	7-speed S tronic	7-speed S tronic	7-speed S tronic	8-speed tiptronic
Max. power, ¹ PS at rpm		190/3800–4200	190/3800–4200	190/3800–4200	218/4000–5000	272/3250–4250
Wheel and Tyre Clustering						
CO ₂ emissions, ² g/km	17" wheels	-	-	116	123	134
	18" wheels	116	113	120	126	139
	19" wheels	121	116	123	129	142
Benefit in kind 2017/18 tax year (BIK)%	17" wheels	-	-	25%	26%	28%
	18" wheels	25%	24%	26%	27%	29%
	19" wheels	26%	25%	26%	27%	30%
Fuel consumption, ² mpg (l/100km) Urban	17" wheels	-	-	54.3 (5.2)	56.5 (5.0)	50.4 (5.6)
	18" wheels	54.3 (5.2)	57.6 (4.9)	53.3 (5.3)	55.4 (5.1)	49.6 (5.7)
	19" wheels	52.3 (5.4)	56.5 (5.0)	52.3 (5.4)	54.3 (5.2)	48.7 (5.8)
Fuel consumption, ² mpg (l/100km) Extra Urban	17" wheels	-	-	68.9 (4.1)	64.2 (4.4)	58.9 (4.8)
	18" wheels	70.6 (4.0)	70.6 (4.0)	67.3 (4.2)	61.4 (4.6)	56.5 (5.0)
	19" wheels	68.9 (4.1)	68.9 (4.1)	64.2 (4.4)	58.9 (4.8)	55.4 (5.1)
Fuel consumption, ² mpg (l/100km) Combined	17" wheels	-	-	62.8 (4.5)	60.1 (4.7)	55.4 (5.1)
	18" wheels	62.8 (4.5)	65.7 (4.3)	61.4 (4.6)	58.9 (4.8)	53.3 (5.3)
	19" wheels	61.4 (4.6)	64.2 (4.4)	60.1 (4.7)	57.6 (4.9)	52.3 (5.4)

The information on this page is relevant for new factory orders only and is correct at time of publication. Please confirm with your Audi Centre the exact specification and technical data for your model. ¹The given value was obtained in accordance with the specified measurement procedure (the respective current version of the Directive 80/1269/EEC). The maximum power output figures are quoted in PS (or Pferdestärke, which is the metric equivalent of brake horsepower). To convert to brake horsepower, divide the PS figure by 1.0139. ²Fuel consumption and CO₂ emissions figures are obtained under standardised test conditions (Directive 93/116/EEC) using a representative model. This allows direct comparison between different models from different manufacturers, but may not represent the actual fuel consumption achieved in 'real world' driving conditions and may be affected by optional equipment. More information is available at www.dft.gov.uk/vca

S4 technical data

All of our S4 engines meet EU6 emissions standards. Depending on your chosen S4 wheel size, different efficiency figures for CO₂ emissions and fuel consumption will apply (based on EU directive no. 715/2007 effective 01/09/14). This table is a quick reference guide to help you find the correct values based on wheel sizes and your chosen engine.

	Petrol engines	
Engine	3.0 V6 TFSI quattro (Saloon)	3.0 V6 TFSI quattro (Avant)
Transmission	8-speed tiptronic	8-speed tiptronic
Cylinder	6-cylinder	6-cylinder
Displacement, cubic cm	2995	2995
Max. power, ¹ PS at rpm	354/5400–6400	354/5400–6400
Performance		
Max. torque, Nm at rpm	500/1370–4500	500/1370–4500
0–62mph acceleration, seconds	4.7	4.9
Top speed, mph	155	155
Weight		
Unladen weight, ² kg	1630	1675
Gross weight limit, kg	2200	2265
Further information		
Roof load limit/nose weight, kg	90/80	90/80
Max. trailer load unbraked, ³ kg	750	750
Max. trailer load with 12%/8% gradient, ³ kg	1900/2100	1900/2100
Fuel tank approx. capacity, litres	58	58
ABI insurance group 1–50 ⁴	TBC	TBC

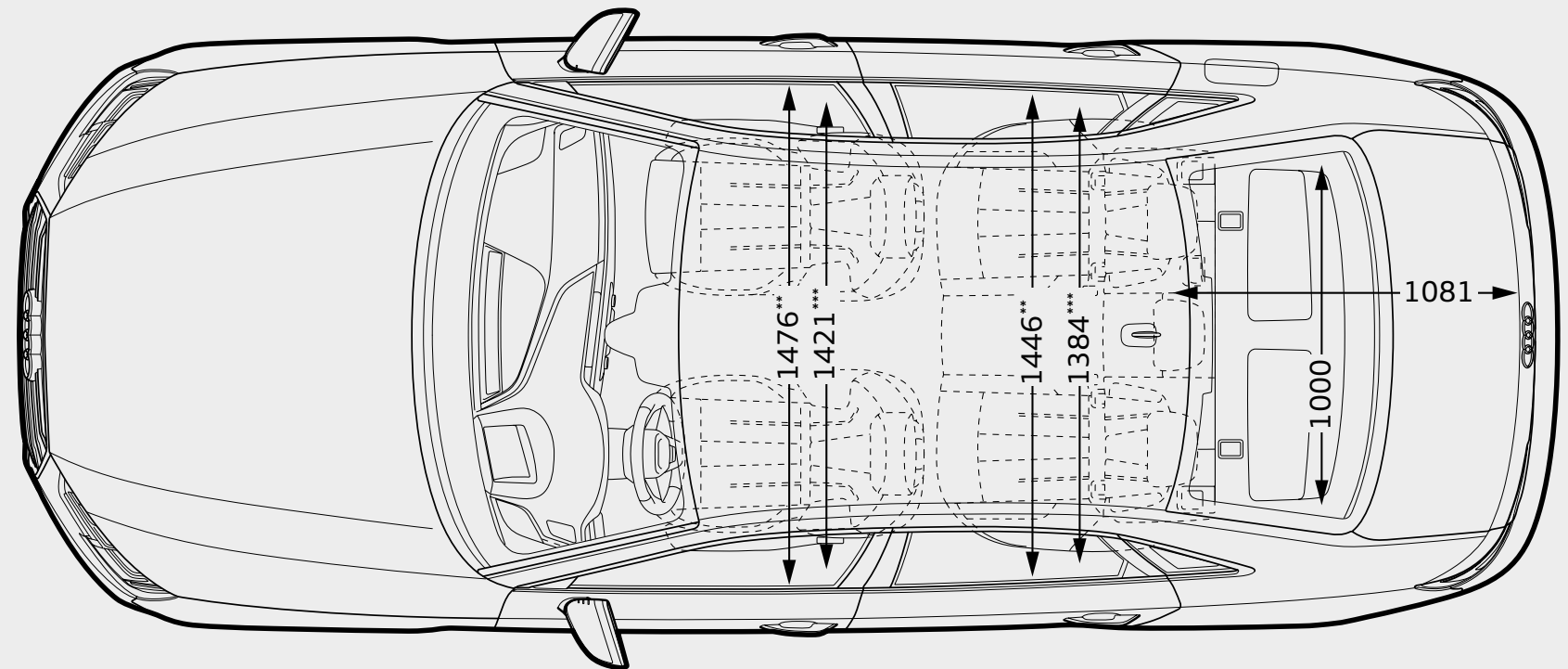
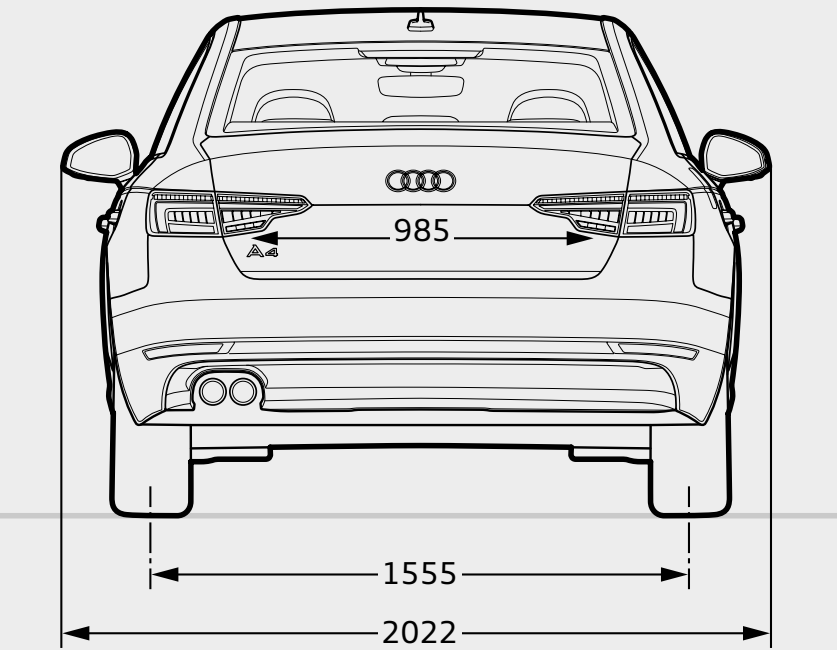
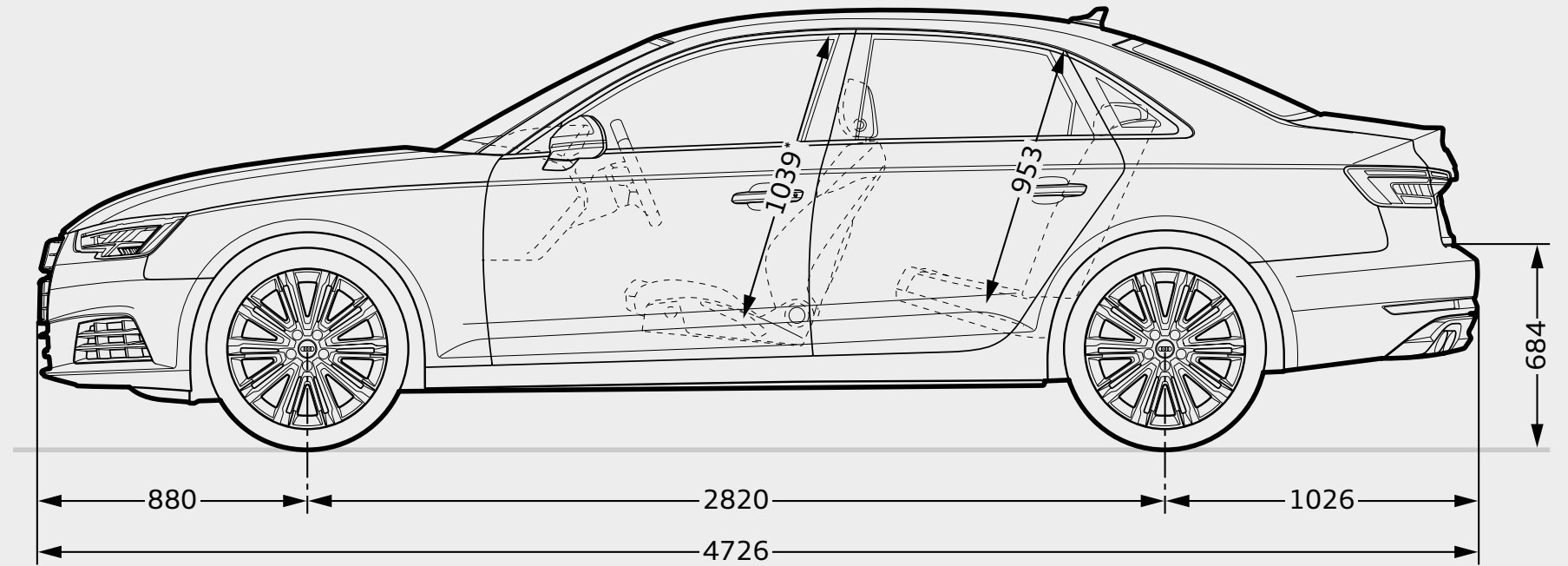
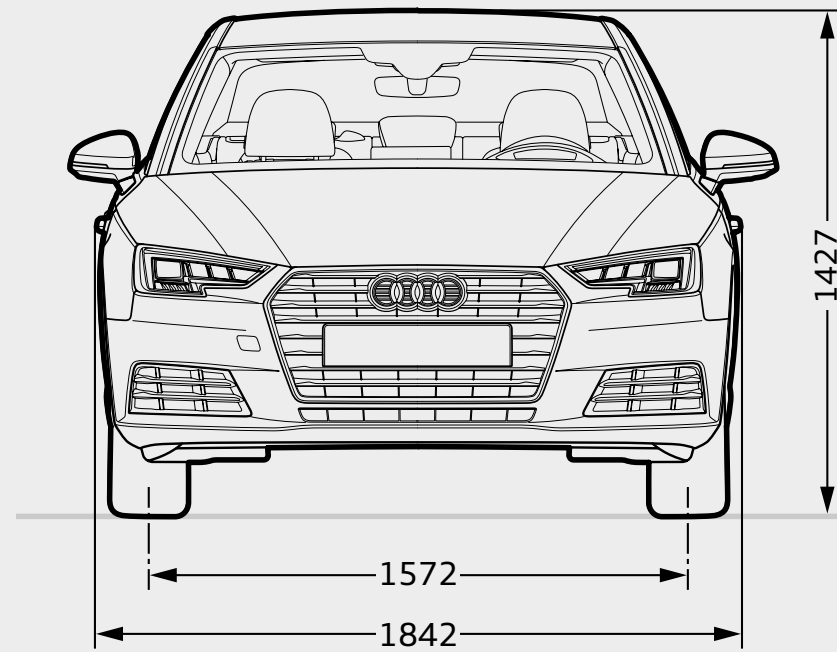
	Petrol engines		
Engine	3.0 V6 TFSI quattro (Saloon)	3.0 V6 TFSI quattro (Avant)	
Transmission	8-speed tiptronic	8-speed tiptronic	
Max. power, ¹ PS at rpm	354/5400–6400	354/5400–6400	
Wheel and Tyre Clustering			
CO ₂ emissions, ⁵ g/km	17" wheels	–	–
	18" wheels	–	–
	19" wheels	174	179
Benefit in kind 2017/18 tax year (BIK)%	17" wheels	–	–
	18" wheels	–	–
	19" wheels	34%	34%
Fuel consumption, ⁵ mpg (l/100km) Urban	17" wheels	–	–
	18" wheels	–	–
	19" wheels	27.7 (10.2)	27.4 (10.3)
Fuel consumption, ⁵ mpg (l/100km) Extra Urban	17" wheels	–	–
	18" wheels	–	–
	19" wheels	44.8 (6.3)	43.5 (6.5)
Fuel consumption, ⁵ mpg (l/100km) Combined	17" wheels	–	–
	18" wheels	–	–
	19" wheels	36.7 (7.7)	35.8 (7.9)

The information on this page is relevant for new factory orders only and is correct at time of publication. Please confirm with your Audi Centre the exact specification and technical data for your model. ¹The given value was obtained in accordance with the specified measurement procedure (the respective current version of the Directive 80/1269/EEC). The maximum power output figures are quoted in PS (or Pferdestärke, which is the metric equivalent of brake horsepower). To convert to brake horsepower, divide the PS figure by 1.0139. ²Vehicle's unladen weight without driver (calculated in accordance with the current version of Directive (80/1268/EEC). The fitting of additional equipment may increase the vehicle's unladen weight and drag coefficient, whereupon the potential carrying capacity and top speed will be correspondingly reduced. ³The engine's power output always goes down with increasing altitude. At 1,000m above sea level, and for every additional 1,000m, deduct 10% from the weight of the outfit (trailer load limit + gross weight of the towing vehicle). ⁴Highest insurance group rating shown. Group may be lower dependent on trim level. Please visit www.thatcham.org/abigrouprating for details. ⁵Fuel consumption and CO₂ emissions figures are obtained under standardised test conditions (Directive 93/116/EEC) using a representative model. This allows direct comparison between different models from different manufacturers, but may not represent the actual fuel consumption achieved in 'real world' driving conditions. More information is available at www.dft.gov.uk/vca

A4 Saloon dimensions

All the measurements you need

See the exact dimensions of the Audi A4 Saloon, so you can check everything – from whether the car fits your garage to whether your luggage fits the boot.



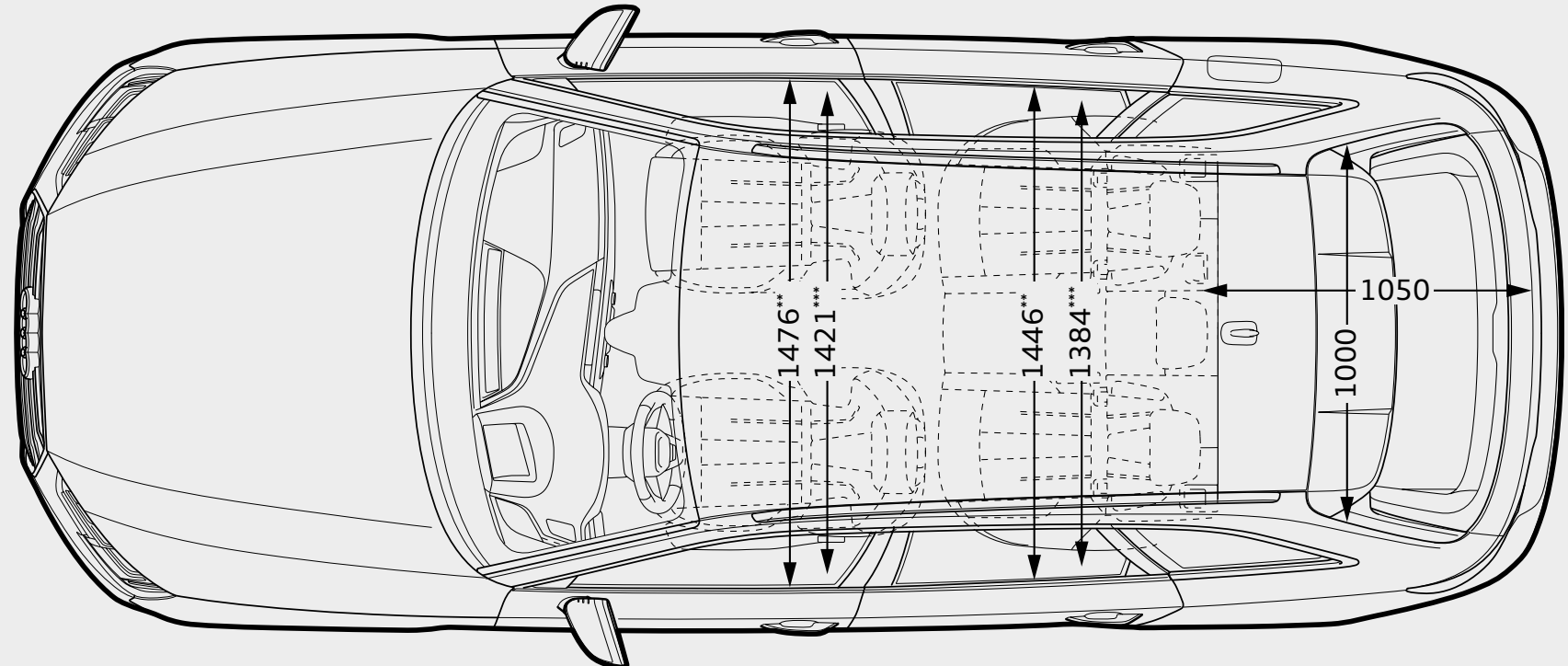
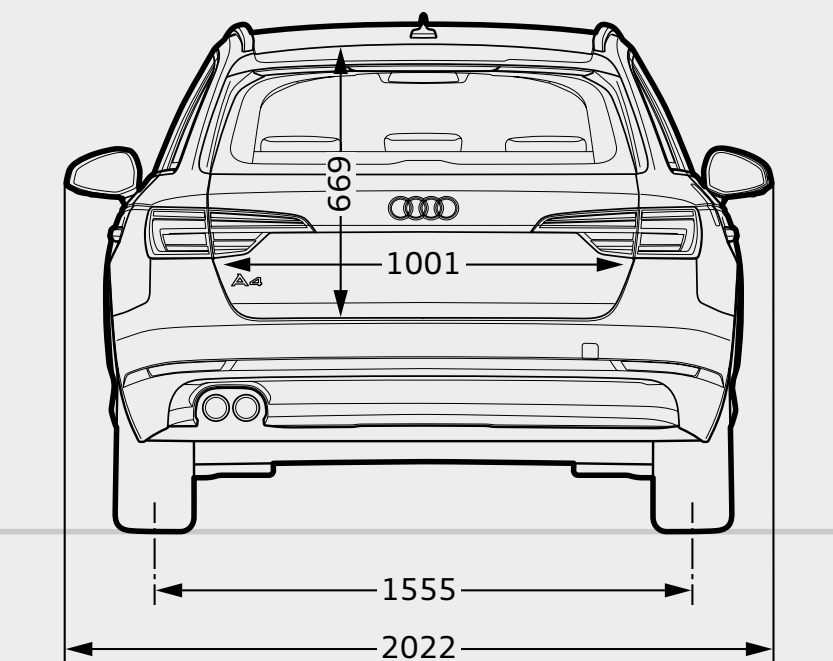
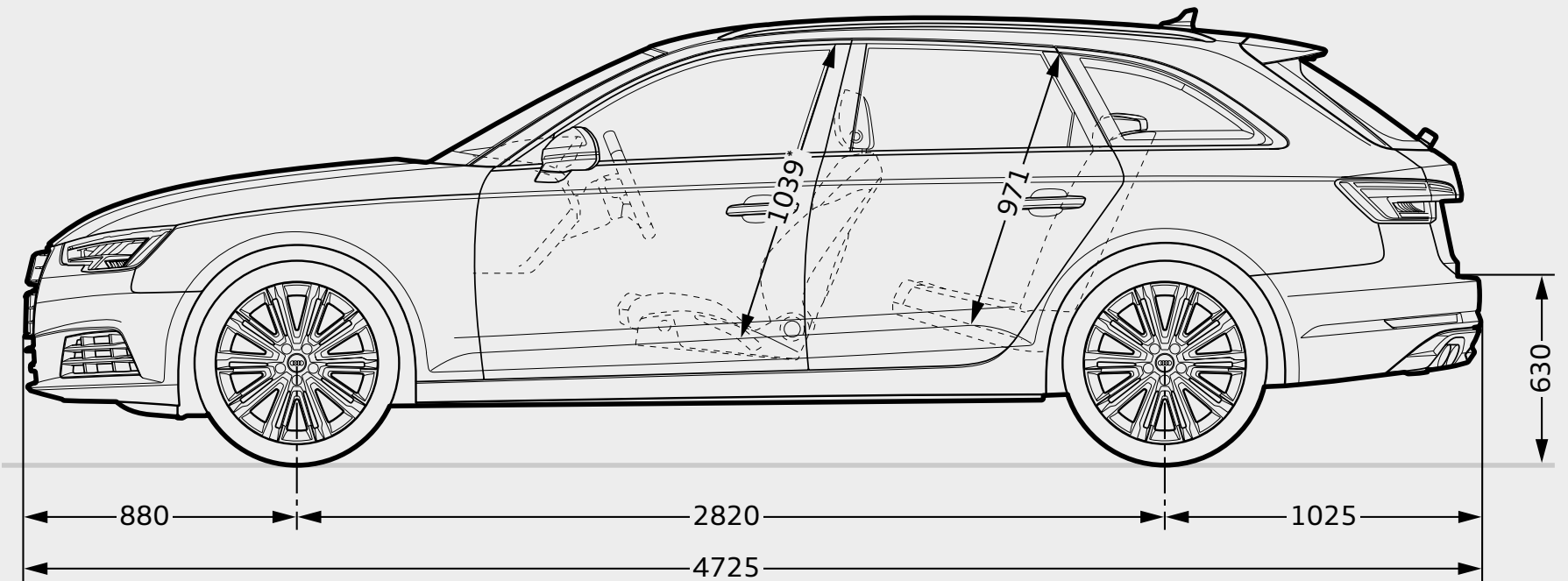
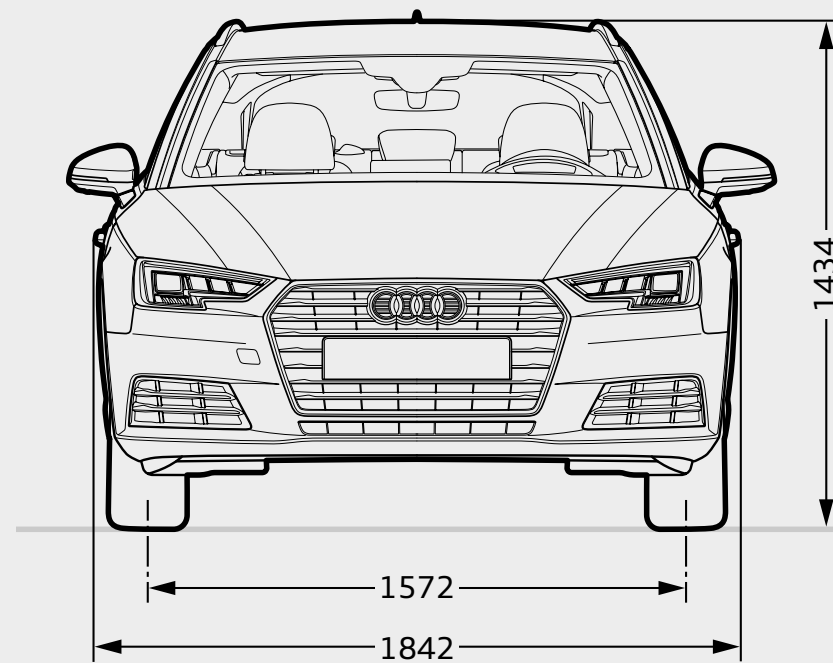
Please note that luggage capacity is reduced when Technology Pack is fitted.
 Dimensions in millimetres. Optional equipment may affect dimensions.
 Dimensions were measured with vehicle at unladen weight. Turning circle approx 11.6m.
 *Maximum headroom. **Elbow room width. ***Shoulder room width.
 †Measured by the VDA standard test method using 200 x 100 x 50mm blocks.

A4 Saloon luggage compartment capacity:†
 480l (rear seats up) or 965l (rear seats folded).

A4 Avant dimensions

All the measurements you need

See the exact dimensions of the Audi A4 Avant, so you can check everything – from whether the car fits your garage to whether your luggage fits the boot.



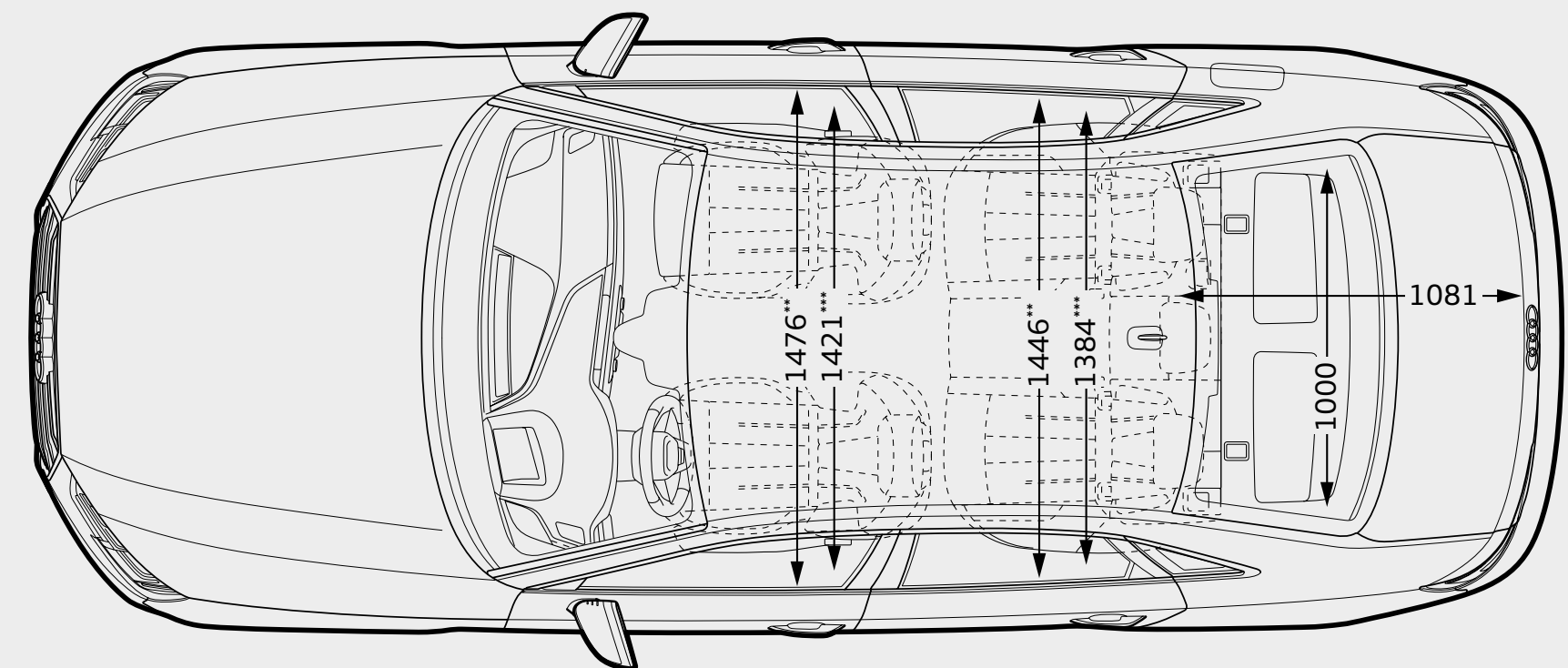
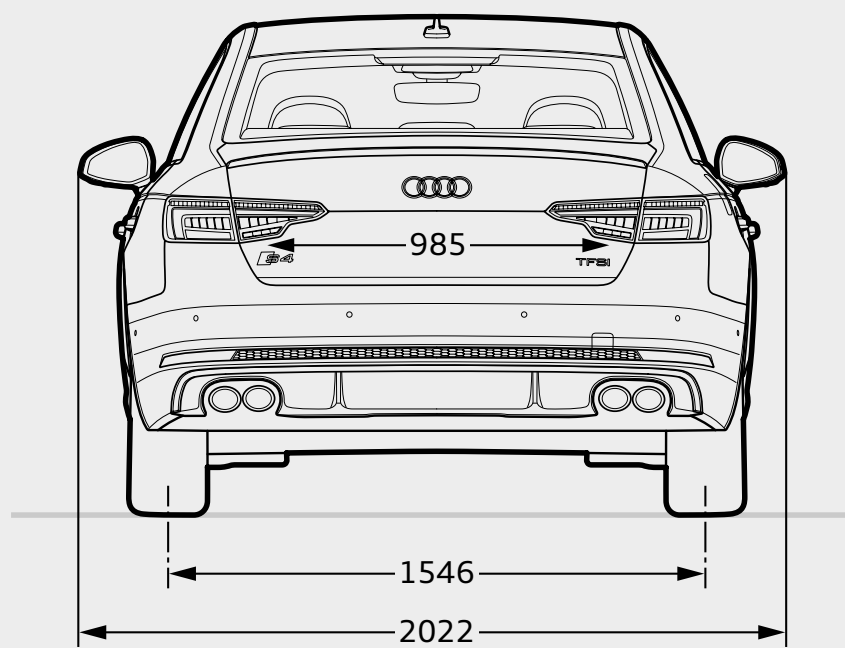
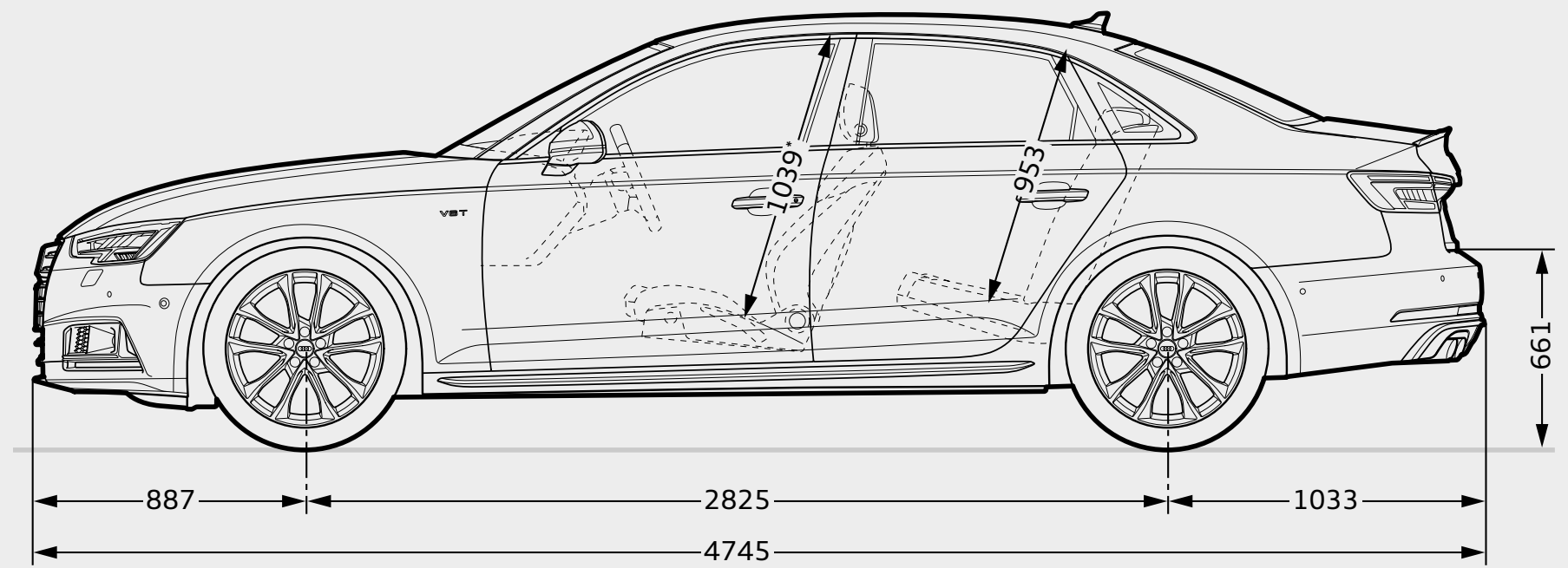
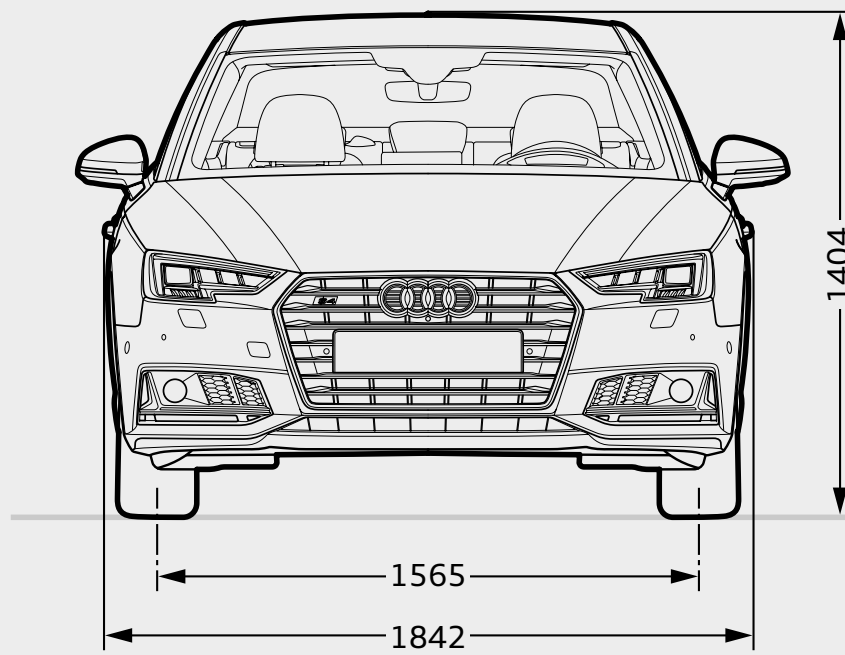
Please note that luggage capacity is reduced when Technology Pack is fitted.
 Dimensions in millimetres. Optional equipment may affect dimensions.
 Dimensions were measured with vehicle at unladen weight. Turning circle approx 11.6m.
 *Maximum headroom. **Elbow room width. ***Shoulder room width.
 †Measured by the VDA standard test method using 200 x 100 x 50mm blocks.

A4 Avant luggage compartment capacity:†
 505l (rear seats up) or 1510l (rear seats folded).

S4 Saloon dimensions

All the measurements you need

See the exact dimensions of the Audi S4 Saloon, so you can check everything – from whether the car fits your garage to whether your luggage fits the boot.



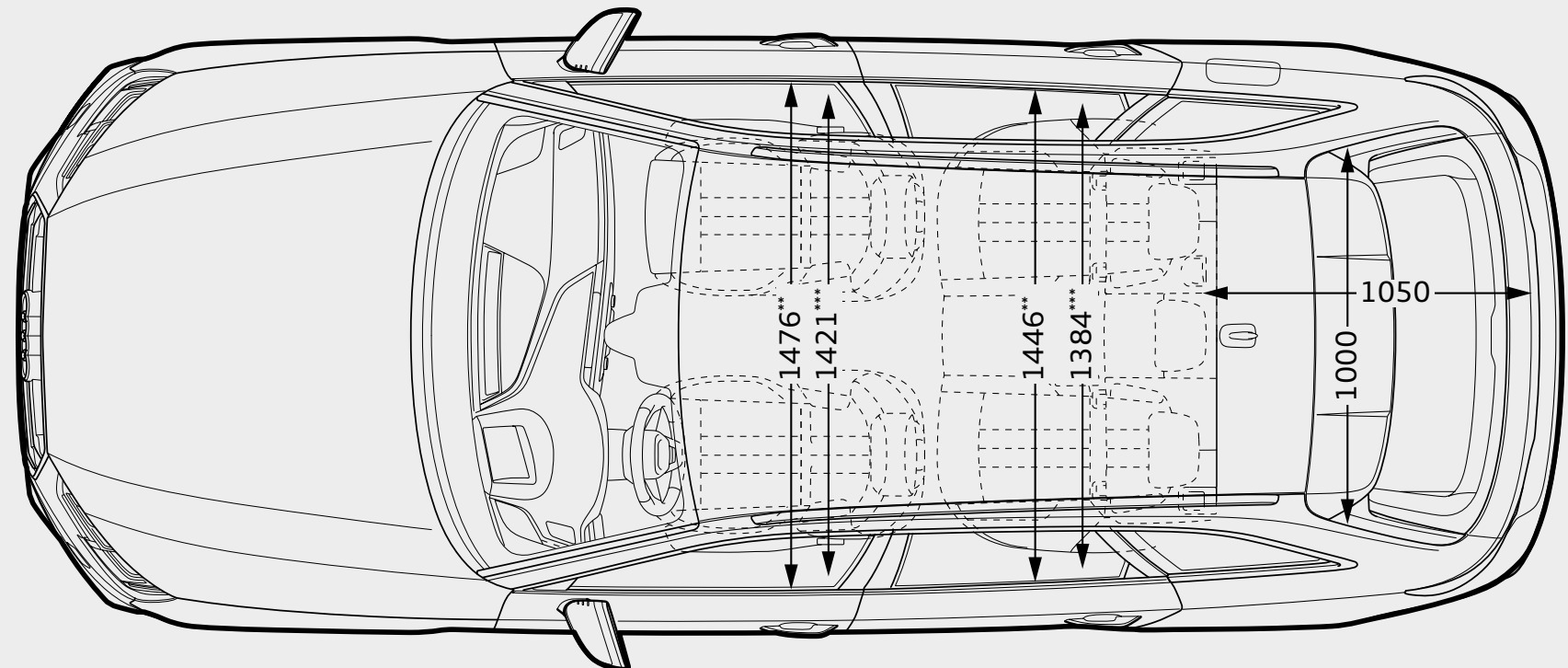
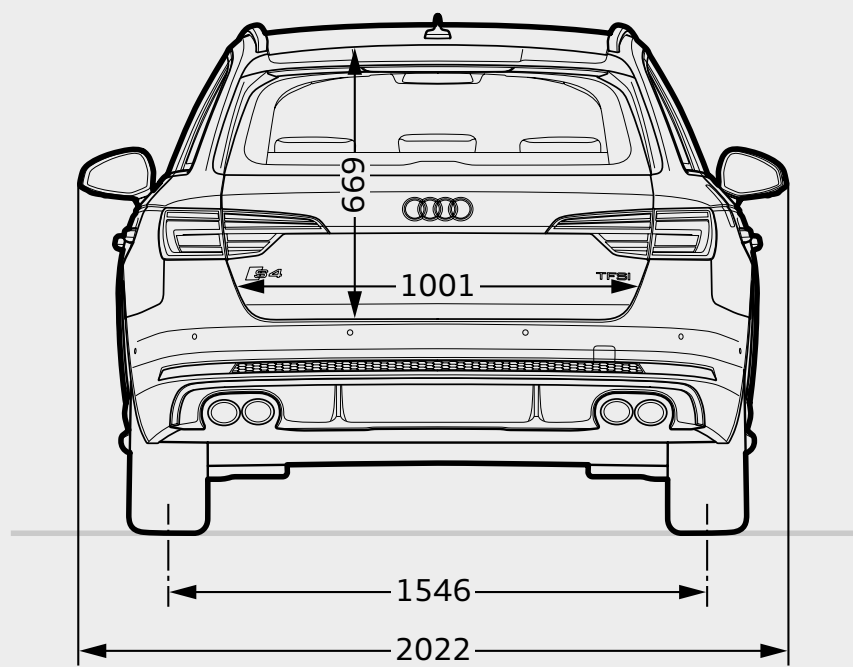
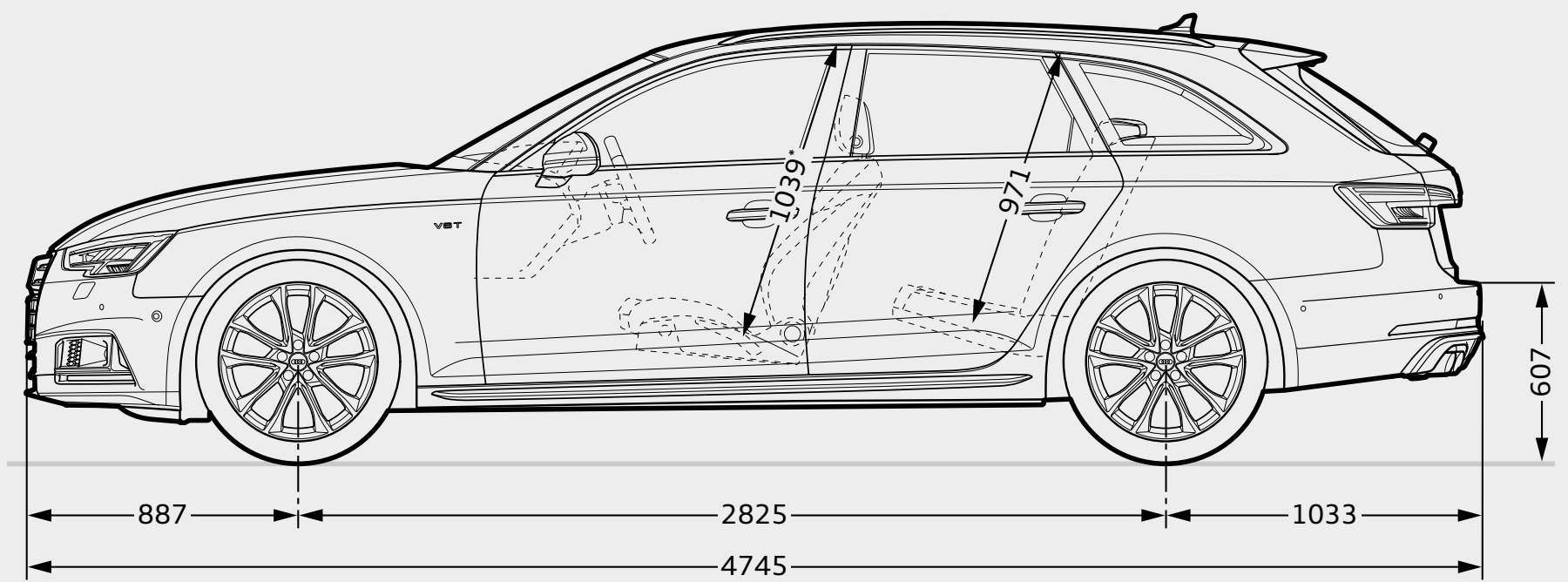
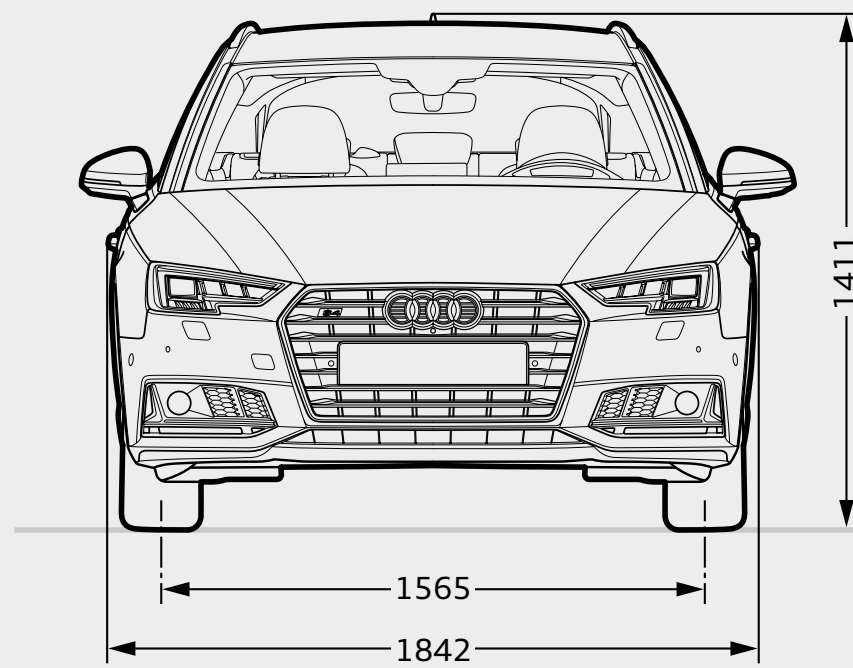
Please note that luggage capacity is reduced when Technology Pack is fitted.
 Dimensions in millimetres. Optional equipment may affect dimensions.
 Dimensions were measured with vehicle at unladen weight. Turning circle approx 11.6m.
 *Maximum headroom. **Elbow room width. ***Shoulder room width.
 †Measured by the VDA standard test method using 200 x 100 x 50mm blocks.

S4 Saloon luggage compartment capacity:†
 480l (rear seats up) or 965l (rear seats folded).

S4 Avant dimensions

All the measurements you need

See the exact dimensions of the Audi S4 Avant, so you can check everything – from whether the car fits your garage to whether your luggage fits the boot.



Please note that luggage capacity is reduced when Technology Pack is fitted.
 Dimensions in millimetres. Optional equipment may affect dimensions.
 Dimensions were measured with vehicle at unladen weight. Turning circle approx 11.6m.
 *Maximum headroom. **Elbow room width. ***Shoulder room width.
 †Measured by the VDA standard test method using 200 x 100 x 50mm blocks.

S4 Avant luggage compartment capacity:†
 505l (rear seats up) or 1510l (rear seats folded).

Important information

Welcome to Audi

Audi customer care

Every new Audi includes these reassuring features as standard:

- ▶ 3-year Audi warranty (unlimited mileage in the first two years, with a full mechanical and electrical warranty up to 60,000 miles in the third year)
- ▶ A 3-year paint warranty
- ▶ A 12-year anti-corrosion warranty
- ▶ 3-year UK roadside assistance and recovery
- ▶ 3-year accessories warranty on any accessories purchased with your car (2-year warranty if purchased separately from your new Audi)*

You also have the option when ordering your new car of choosing a 4-year or 5-year Audi warranty. Speak to a member of the sales team for more information.

Warranty terms and conditions apply. Please see www.audi.co.uk/warrantyterms for further details.

Information in this pricelist

We've done all we can to make the prices, specifications, technical details and all other information you see in this pricelist accurate at the time of publication. However, as our products are constantly being updated, we recommend checking the details with your Audi Centre.

We reserve the right to change prices or specification at any time. All prices shown in this guide include VAT which is currently charged at 20%.

Delivery charges and number plates are not included in the Total RRP inc VAT vehicle price.

Delivery charge	£504.99
Number plate	£20.00
VAT	£105.01
Total	£630.00

Recommended On-The-Road (OTR) prices include the delivery and number plate charges above, Road Fund Licence (which may vary depending on model/transmission – see table for details) and first registration fee at £55.00.

The images featured in this pricelist are for illustrative purposes only. They may feature left-hand drive vehicles and include equipment that is not UK specification.

CO₂ emissions-based Vehicle Excise Duty

Vehicle Excise Duty (Road Fund Licence) is based upon the amount of Carbon Dioxide (CO₂) a vehicle emits, measured in grams per kilometre (g/km). First-year VED rates apply to the first year of ownership. Annual VED rates apply thereafter. The DVLA has created 13 categories:

Vehicles registered on or after 1 April 2017

Petrol and diesel engines	First year	Standard rate [†] (second year onwards)
A – 0g/km	£0	£0
B – 1 to 50g/km	£10	£140
C – 51 to 75g/km	£25	£140
D – 76 to 90g/km	£100	£140
E – 91 to 100g/km	£120	£140
F – 101 to 110g/km	£140	£140
G – 111 to 130g/km	£160	£140
H – 131 to 150g/km	£200	£140
I – 151 to 170g/km	£500	£140
J – 171 to 190g/km	£800	£140
K – 191 to 225g/km	£1,200	£140
L – 226 to 255g/km	£1,700	£140
M – over 255g/km	£2,000	£140

Vehicle Excise Duty (VED) rates correct at time of going to print, but these may alter to reflect any change in the applicable VED rate.
[†]Vehicles with a list price exceeding £40,000 (including factory installed options, delivery charge, number plates and VAT) will pay an additional £310 plus the standard annual rate for a 5-year period. After the 5-year period only the standard rate will apply.

*Excludes Road Angel products.

Important information continued

Audi tax-free sales

If you are entitled to purchase a vehicle free of VAT, normally through military or diplomatic privilege, please contact your local Audi Centre for full details. Should you have any difficulty obtaining the information you require, please call 0870 241 5663.

Audi Connect Terms and Conditions

The Audi Connect Online Services (“Connect Services”) are provided by Audi AG, and are included as standard in certain models within the Audi range of vehicles and are also available within some optional packs, such as the Audi Technology Pack. Audi AG is a company within our corporate group.

The Connect Services include:

- ▶ Audi Connect Infotainment Services (“Infotainment Services”); and
- ▶ Audi Connect ‘Safety and Service’ Services (comprising myService and myCarManager) (“Safety and Service”).

Some services require additional activation steps. In order to enjoy these services customers must register, accept the terms and conditions and follow the activation steps instructed on myAudi (please visit <https://login.audi.com>).

Some services also require the download of the Audi MMI App on a compatible phone or tablet (always check latest phone and software compatibility).

Whilst correct at the time of publication, the content and scope of the Connect Services offered may vary from time to time. Features vary by model. Audi AG may add, change, replace or remove individual services or features at any time during your subscription for the Connect Services.

Enhancements in vehicle technology, information technology and web-based services sometimes require the Connect Services to be adapted and enhanced in line with new forms of technology or changes in user behaviour. In this context, Audi AG reserves the right at any time to enhance, reduce or change the functional scope of the Connect Services in a manner that it considers is reasonable for the customer.

For full details of the specific Connect Services on your vehicle, together with complete and up-to-date terms and conditions for those Connect Services, please visit www.audi.co.uk/connectterms

Audi Connect Infotainment Services

Audi Connect Online Infotainment Services (“Infotainment Services”) are provided via a SIM card embedded in the vehicle. The Infotainment Services enable access to certain search, social media and other online services provided by third parties. Features vary by model. Permanent availability cannot be guaranteed as this is the responsibility of the relevant third party provider.

Infotainment Services are available only within the range of the selected mobile phone network operated by Audi AG’s chosen mobile phone provider (which may change from time to time) and where there is mobile reception, including an active data connection.

Data is unlimited. There are no additional charges for data roaming within the EU (although availability of these services is limited to certain countries). You will not, however, be able to use the embedded SIM to provide Wi-Fi hotspot services or to tether any other device to the embedded SIM. Should you wish to create a Wi-Fi hotspot we recommend you purchase Wi-Fi data packs via myAudi (link: <https://login.audi.com>). Any Wi-Fi data packs purchased via myAudi will remain with the vehicle upon sale of the vehicle and no refunds will be provided.

If you insert an external SIM card into the card slot (e.g. so as to enable Wi-Fi hotspot services), then all Infotainment Services data connections will be made via this SIM card (and not the Audi embedded SIM card) and all related data costs incurred may be charged to the customer by the provider of the plan associated with the external SIM card.

You may not use the Connect Services and the embedded SIM for any purpose other than the provision or receipt of services in accordance with these terms.

For vehicles which have hazard alert and traffic sign information features, the vehicle sensors will be transmitting information to Audi AG. This information includes, but is not limited to, vehicle location, speed signs, areas where a risk of skidding, breakdown, accident and/or reduced visibility has been identified. The data is transmitted to Audi AG and shared with other Audi vehicles with hazard alert and traffic sign information features. The data is transmitted anonymously and does not identify an individual vehicle. Such data is only held for the purpose of warning drivers of potential road hazards and change of speed signs.

The subscription is activated from the point of vehicle registration. Should you wish to continue to use the Connect Services after your subscription expires, please consult your local Audi Centre for details (including the latest subscription fees). Charges will apply upon renewal.

Important information continued

Audi Connect Safety and Service

Audi Connect Online Safety and Service (“Safety and Service”) is available on certain models and is provided via a SIM card embedded in the vehicle.

Safety and Service features are available only within the range of the selected mobile phone network operated by Audi AG’s chosen mobile phone provider (which may change from time to time) and where there is mobile reception, including an active data connection.

You may not use the Connect Services and the embedded SIM for any purpose other than the provision or receipt of services in accordance with these terms.

Safety and Service comprises:

- 1) myService; and
- 2) myCarManager.

For full details of the features of Safety and Service, please visit www.audi.co.uk/connectterms

MMI Navigation Plus – online map updates and myAudi Special Destinations

The map version delivered with vehicles with MMI Navigation Plus can be updated free of charge for the first five updates after vehicle delivery (which are generally issued at intervals of 6 months). The current navigation data can be downloaded from the myAudi platform at www.audi.com/myaudi and embedded in the vehicle via SD card. In conjunction with Audi Connect Infotainment Services, the update can be carried out online in the vehicle (subject to mobile reception and an active data connection). For further navigation updates, it is possible to purchase new navigation data maps from your local Audi Centre at extra cost – please contact them for details.

With myAudi Special Destinations, you can download your favourite POI lists available on the internet (such as favourite restaurants) and have these displayed on your navigation map. In order to enjoy this service, customers must register, accept the terms and conditions and follow the instructions given on myAudi. Please visit <https://login.audi.com/login>

Audi Vorsprung durch Technik

Audi UK
Customer Services
Selectapost 29
Sheffield
S97 3FG
0800 699888
www.audi.co.uk

Information in this guide is
subject to change without notice.

© Audi (UK)
A4 Saloon and Avant Pricelist.

Edition 6 10/17
2018 Model Year

Images are for illustrative purposes only.